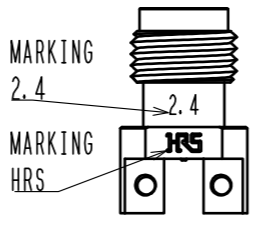


Attachment: Unified screw thread 0-80UNF 1/4inch

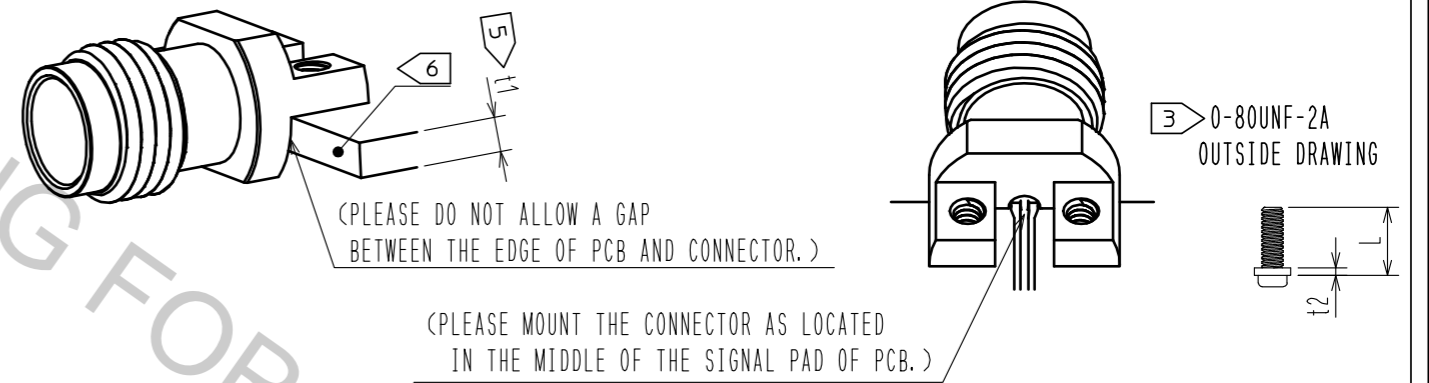
- NOTES
- 1 WHEN MATING THE CONNECTOR, PLEASE HOLD MILLING AREA OF  $6.4 \pm 0.2$  WITH A WRENCH.
  - 2 0-80UNF-2B SCREW TIGHTENING TORQUE IS  $0.09 \text{ N} \cdot \text{m}$ . PLEASE TIGHTEN THE SCREWS EVENLY WHEN MOUNTING THE CONNECTORS TO ENSURE STABLE ELECTRICAL CONTACT.
  - 3 PLEASE USE A PCB MOUNTING SCREW OF THE LENGTH OF L(mm). THE LENGTH OF L(mm) IS PCB THICKNESS  $t_1(\text{mm})$  + SPRING WASHER THICKNESS  $t_2(\text{mm})$  +  $1.8(\text{mm})$ . PLEASE USE A SCREW WITH SPRING WASHER.
  - 4 THE INDICATED DIMENSION IS THE CASE OF WHICH DIELECTRIC CONSTANT OF SUBSTRATE IS 3.35 AND THICKNESS IS  $t=0.2\text{mm}$ . LAND PATTERN LAYOUT DEPENDS ALSO ON ELECTRIC CONSTANT, THICKNESS AND LAYER CONSTRUCTION OF PCB. FOR BETTER PERFORMANCE, SIMULATION OF PCB WITH CONNECTOR IS RECOMMENDED.
  - 5 RECOMMENDED PCB THICKNESS  $t_1$  IS GREATER THAN  $1.0\text{mm}$ .
  - 6 SIDE PLATING OF THE BOARD IS RECOMMENDED.
  - 7 THIS CONNECTOR SHOULD BE USE FOR TEST PORT ONLY.

MARKING POSITION

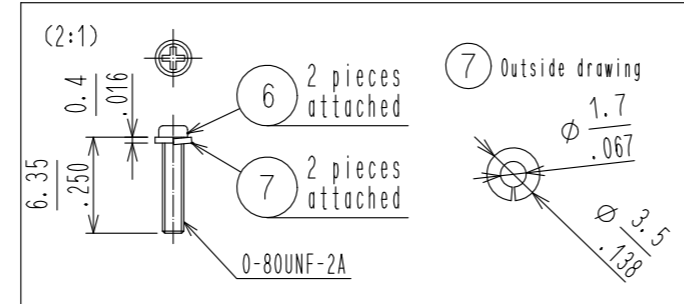
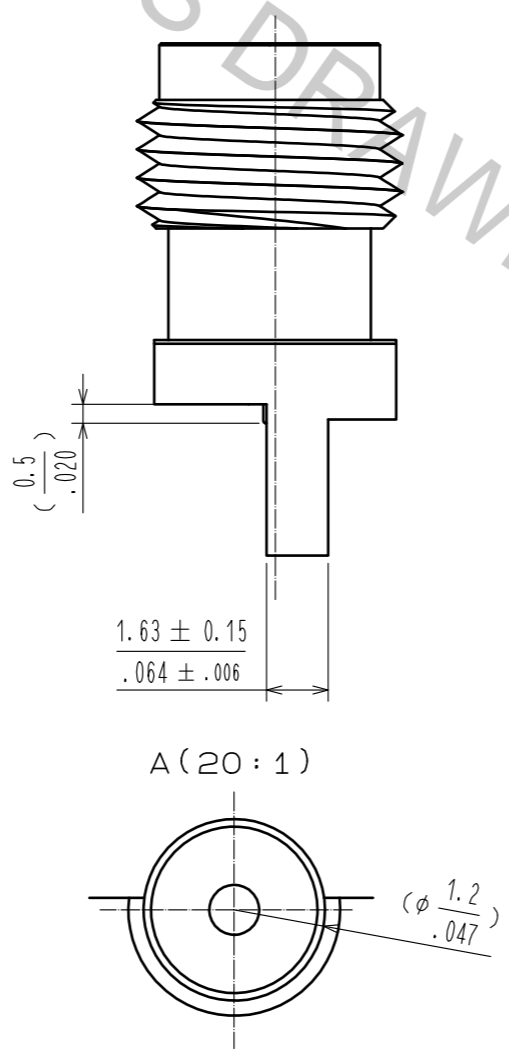
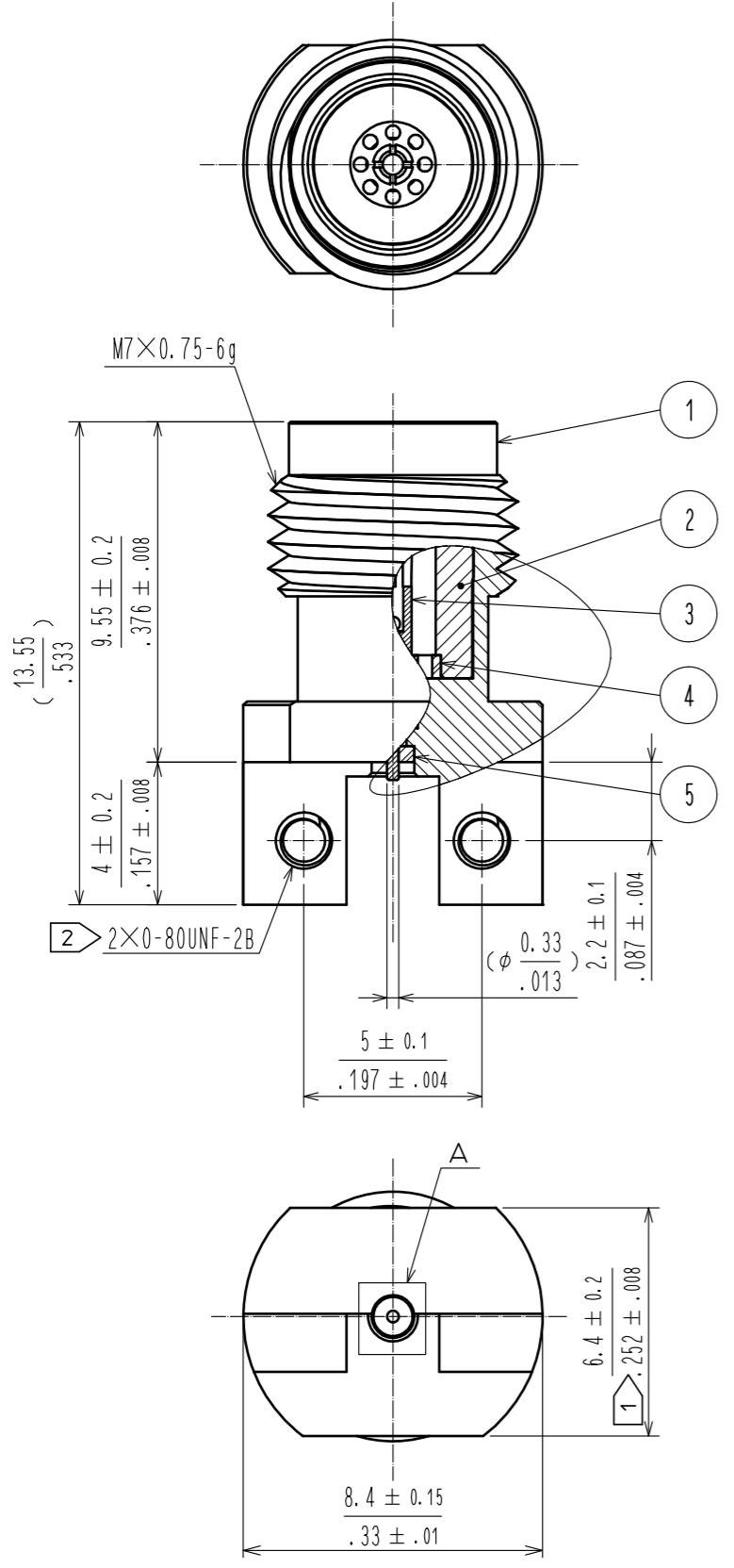
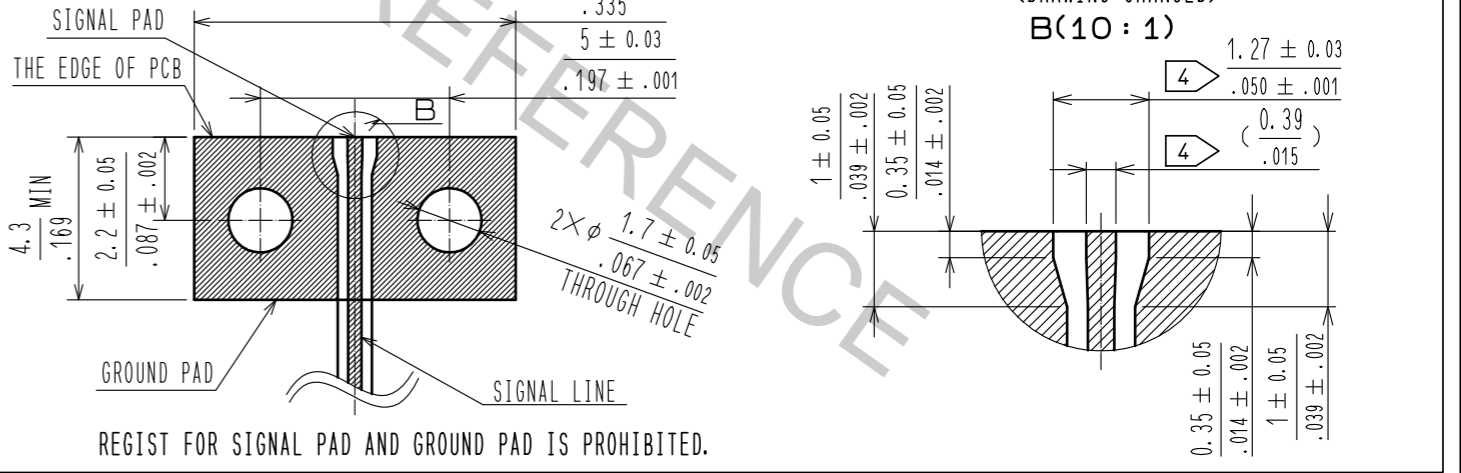


MOUNTING OF CONNECTOR

- (1) WHEN THE CONNECTOR IS MOUNTED ON PCB, PLEASE DO NOT ALLOW A GAP BETWEEN THE EDGE OF PCB AND CONNECTOR.
- (2) PLEASE MOUNT THE CONNECTOR AS LOCATED IN THE MIDDLE OF THE SIGNAL PAD OF PCB.
- (3) SOLDERING CONDITIONS:(OPTIONAL:IT'S POSSIBLE TO USE WITHOUT SOLDERING) FOR THE MANUAL SOLDERING, SOLDERING IRON BIT TEMPERATURE IS  $380^\circ\text{C}$  MAX. FOR 5 SECONDS MAX.



RECOMMENDED PC BOARD PATTERN DRAWING



3	BERYLLIUM COPPER	GOLD PLATING	7	STAINLESS STEEL	Spring washer		
2	STAINLESS STEEL	PASSIVATE	6	STEEL	0-80UNF-2A Screw		
1	BRASS	NICKEL PLATING	5	POLYETHER IMIDE			
			4	POLYETHER IMIDE			
NO.	MATERIAL	FINISH	REMARKS	NO.	MATERIAL	FINISH	REMARKS

UNITS [mm/in]	SCALE 5:1	COUNT 1	DESCRIPTION OF REVISIONS DIS-D-00003223	DESIGNED DS. YAMAKOSHI	CHECKED NK. NINOMIYA	DATE 18.06.19
APPROVED: KH. IKEDA 17.01.23			DRAWING NO. EDC-368795-11-01			
CHECKED: TS. NOBE 17.01.20			PART NO. H2.4-LR-SR2(11)			
DESIGNED: TP. MATSUMOTO 17.01.20			CODE NO. CL338-0603-0-11			
DRAWN: TP. MATSUMOTO 17.01.20			1/1			

Aug.1.2018 Copyright 2018 HIROSE ELECTRIC CO., LTD. All Rights Reserved. In case that the application demands a high level of reliability, such as automotive, please contact a company representative for further information.