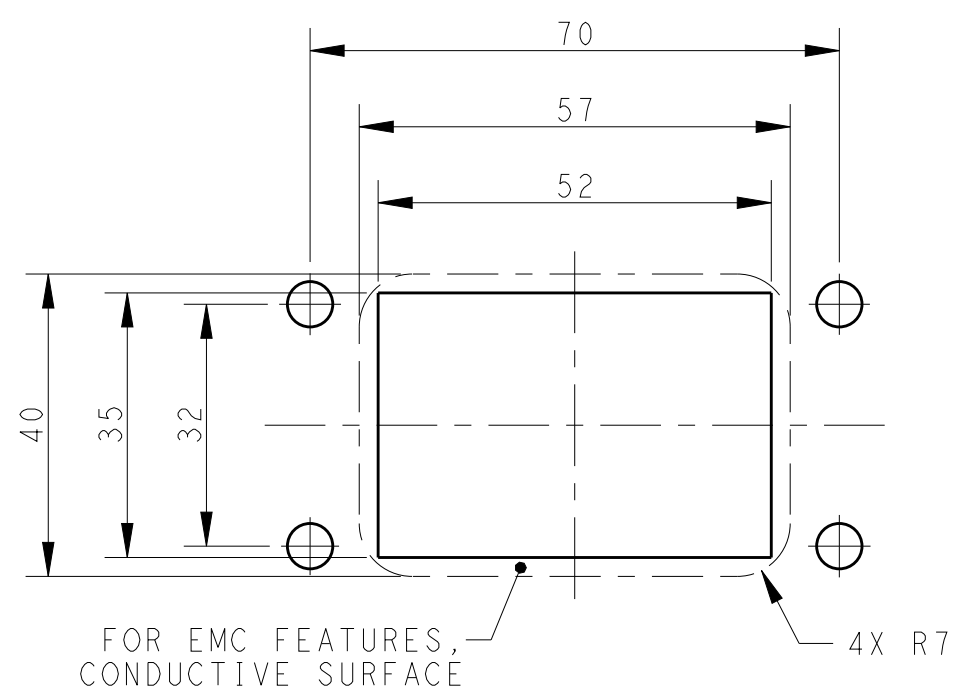
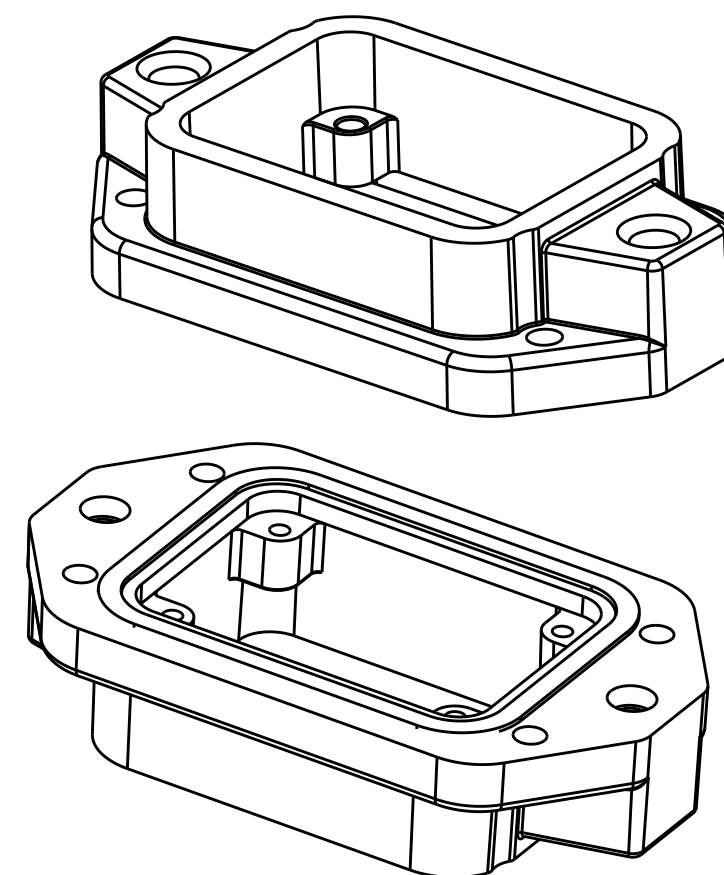
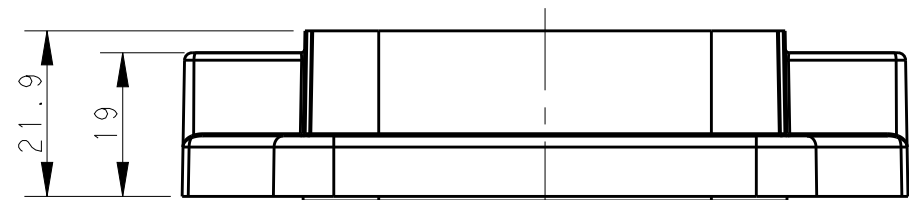
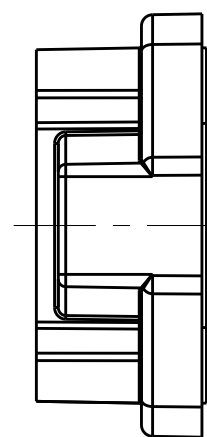
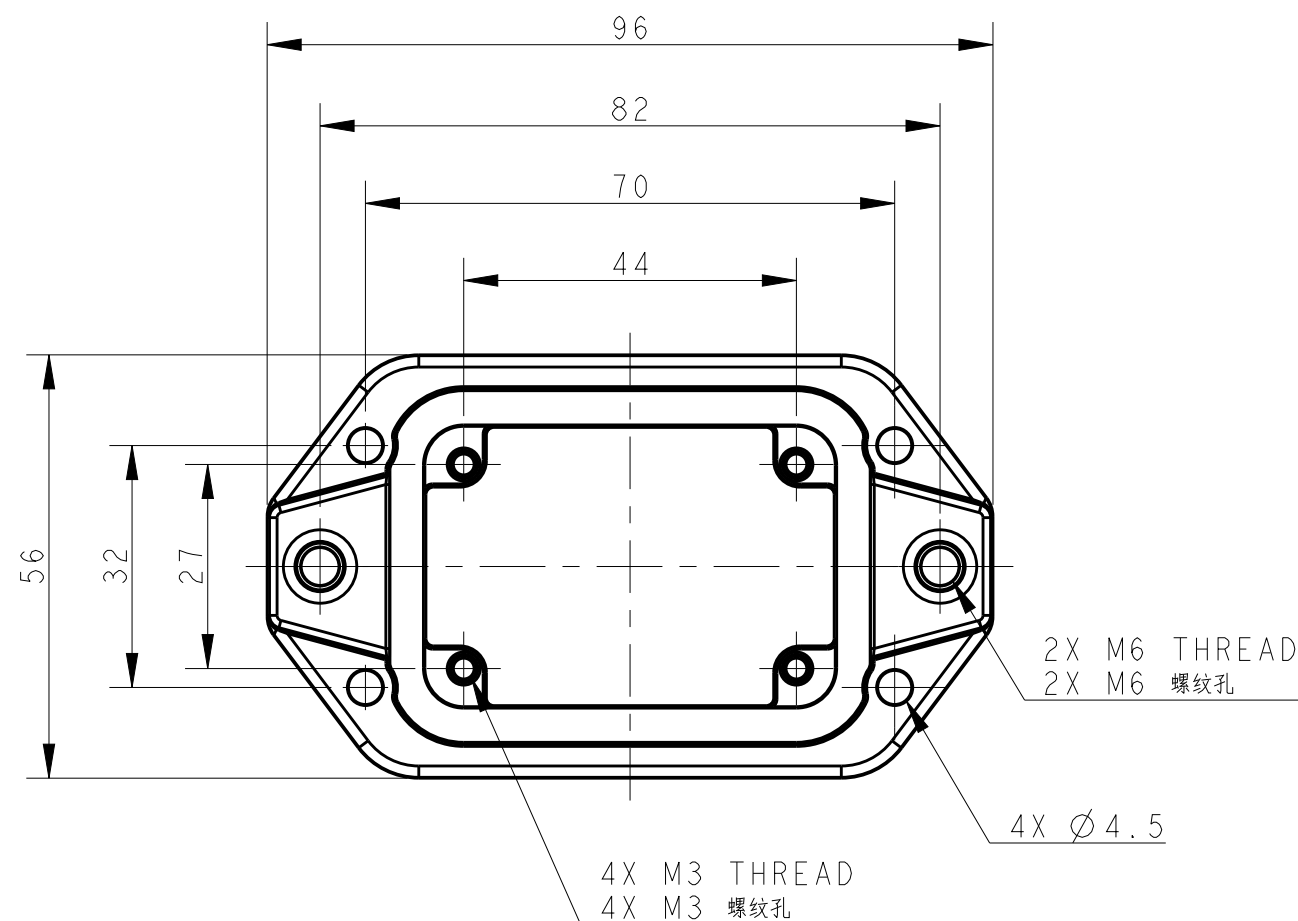


THIS DRAWING IS UNPUBLISHED. RELEASED FOR PUBLICATION 20  
 © COPYRIGHT 20 BY - ALL RIGHTS RESERVED.

REVISIONS				
P	LTR	DESCRIPTION	DATE	APVD
A		INITIAL RELEASE	18OCT2016	DW CW



FOR EMC FEATURES,  
CONDUCTIVE SURFACE

Panel Cut Out Dimension, Only for Reference  
 面板开口尺寸, 仅供参考

NOTES:  
 1. TECHNICAL CHARACTERISTICS:  
 HOUSING MATERIAL: DIE CAST ALUMINIUM ALLOY  
 SURFACE : SEE TABLE  
 DEGREE OF PROTECTION: IP68 (MATED)

注释:  
 1. 技术参数:  
 壳体材料: 铝合金  
 表面处理: 见表格  
 防护等级: IP68 (配合)

T1932062000-009	H6BPR-AGC-EMC-C	H6BPR HOUSING, CENTER LOCKING, BULKHEAD MOUNTED, POWDER COATED, GREY H6BPR中部锁定开孔下壳 灰色
T1932061000-009	H6BPR-AGC-EMC-C	H6BPR HOUSING, CENTER LOCKING, BULKHEAD MOUNTED, POWDER COATED, SILVER WHITE H6BPR中部锁定开孔下壳 银白色
T1932060000-009	H6BPR-AGC-EMC-C	H6BPR HOUSING, CENTER LOCKING, BULKHEAD MOUNTED, POWDER COATED, BLACK H6BPR中部锁定开孔下壳 黑色

PART NUMBER 料号	DESCRIPTION 描述												
THIS DRAWING IS A CONTROLLED DOCUMENT.													
DIMENSIONS: mm	DWN DAVID WANG 18OCT2016 CHK CHRIS WANG 18OCT2016 APVD XIANG XU 18OCT2016												
TOLERANCES UNLESS OTHERWISE SPECIFIED: 0 PLC ± 1 PLC ± 2 PLC ± 3 PLC ± 4 PLC ± ANGLES ± FINISH	PRODUCT SPEC 108-137191 APPLICATION SPEC 114-137191 WEIGHT -												
MATERIAL -	Customer Drawing												
<table border="1"> <tr> <td colspan="2">  TE Connectivity         </td> <td colspan="2">NAME H6BPR-AGC-EMC-C</td> </tr> <tr> <td>SIZE A2</td> <td>CAGE CODE -</td> <td>DRAWING NO. C-T193206X000009</td> <td>RESTRICTED TO -</td> </tr> <tr> <td>SCALE 1:1</td> <td>SHEET 1 OF 1</td> <td>REV A</td> <td></td> </tr> </table>		TE Connectivity		NAME H6BPR-AGC-EMC-C		SIZE A2	CAGE CODE -	DRAWING NO. C-T193206X000009	RESTRICTED TO -	SCALE 1:1	SHEET 1 OF 1	REV A	
TE Connectivity		NAME H6BPR-AGC-EMC-C											
SIZE A2	CAGE CODE -	DRAWING NO. C-T193206X000009	RESTRICTED TO -										
SCALE 1:1	SHEET 1 OF 1	REV A											