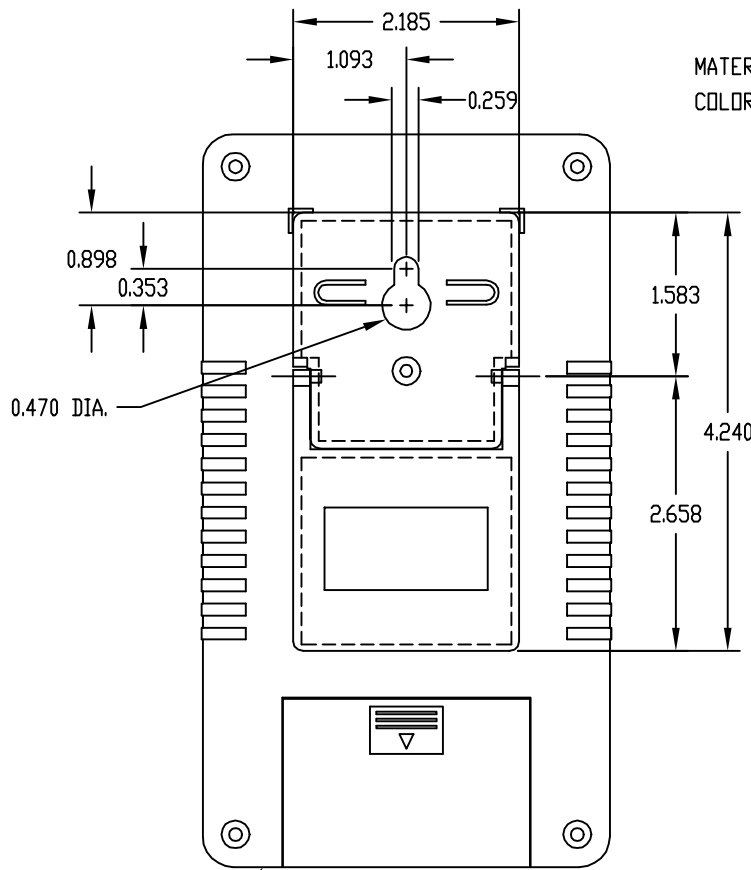


PART  
NAME

TILT STAND

PART  
No.

HH-3440-TS



MATERIAL: HIGH-IMPACT ABS (RATED UL94-V0)  
COLOR: LIGHT GRAY

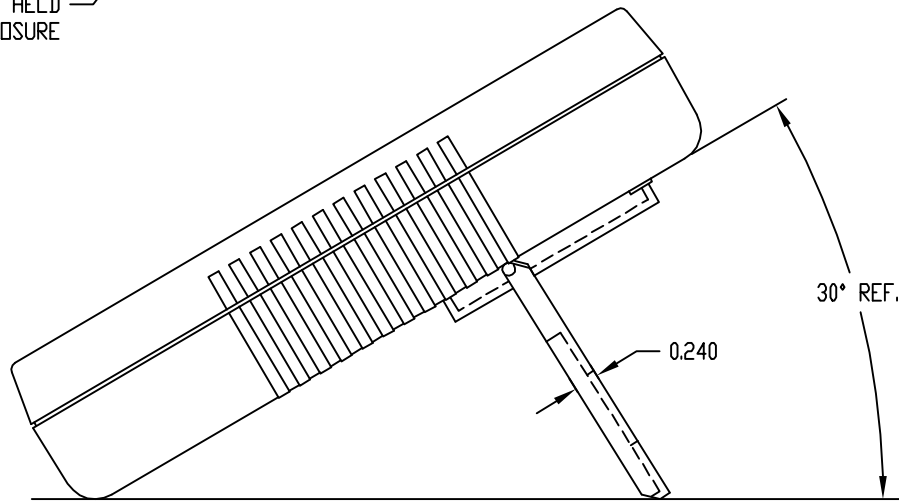
ALL DIMENSIONS HAVE  $\pm 0.015$  TOLERANCE  
UNLESS OTHERWISE SPECIFIED

ONE (1) M3 x 0.394" LG. SCREW  
SUPPLIED FOR ASSEMBLY

TWO (2) NON-SKID SELF-ADHESIVE  
RUBBER FEET SUPPLIED

TILT STAND CAN BE USED ON STYLE A  
OR STYLE B HAND HELD ENCLOSURES

HAND HELD  
ENCLOSURE

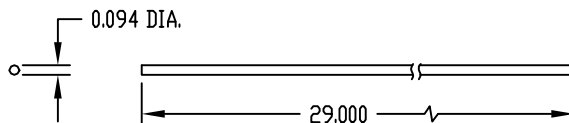


PART  
NAME

GASKET

PART  
No.

HH-3441-G



MATERIAL: NEOPRENE RUBBER  
COLOR: GRAY

GASKET IS PRESS FIT INTO GROOVE  
OF HAND HELD ENCLOSURE TOPS