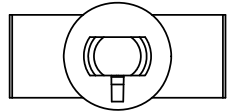
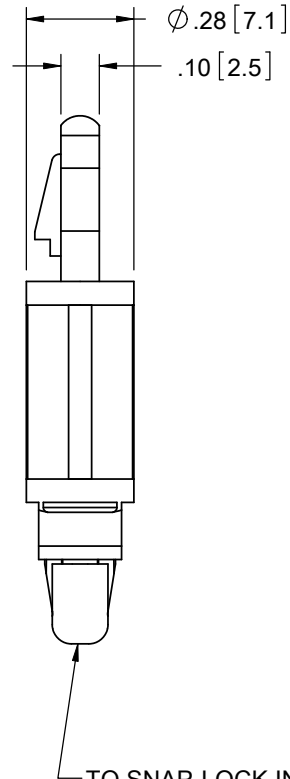
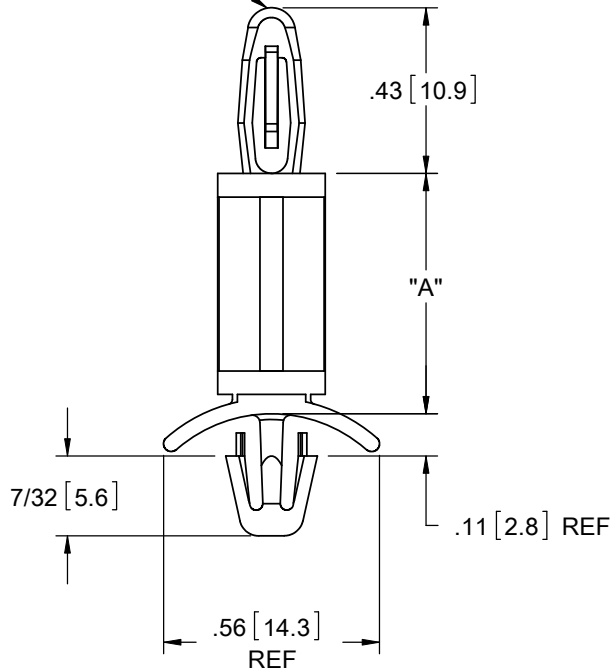


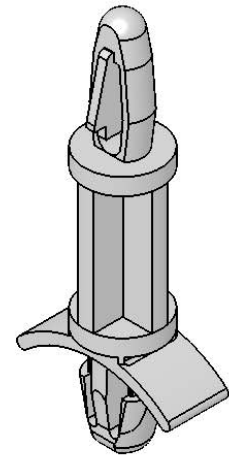
AVAILABLE BY SPECIAL ORDER- NAFTA REGION ONLY



TO SNAP-LOCK IN A $.156 \pm .003$
 $[4 \pm 0.08]$ DIA. HOLE, IN A
 $.093 [2.4]$ PANEL THICKNESS



TO SNAP-LOCK IN A $.187 \pm .003$
 $[4.75 \pm 0.08]$ DIA. HOLE, IN A
 $.031-.078 [0.79-1.98]$ PANEL THICKNESS



MATERIAL: NYLON 6/6 UL 94 V-2 (RMS-01) PART NO.	DIM. "A" $\pm .015 [0.4]$
LCBSA-3-3-01	3/16 [4.8]
LCBSA-3-4-01	1/4 [6.4]
LCBSA-3-5-01	5/16 [7.9]
LCBSA-3-6-01	3/8 [9.5]
LCBSA-3-7-01	7/16 [11.1]
LCBSA-3-8-01	1/2 [12.7]
LCBSA-3-10-01	5/8 [15.9]
LCBSA-3-12-01	3/4 [19.1]
LCBSA-3-14-01	7/8 [22.2]
LCBSA-3-16-01	1 [25.4]
LCBSA-3-18-01	1-1/8 [28.6]
LCBSA-3-20-01	1-1/4 [31.7]
LCBSA-3-22-01	1-3/8 [34.9]

NOTES:

1. MATERIAL: NYLON 6/6 UL 94 V-0 (RMS-19), AVAILABLE BY SPECIAL ORDER. TO ORDER REPLACE "-01" WITH "-19".
2. COLOR: NATURAL.
3. ALTERNATE UNITS FOR REFERENCE ONLY.

TITLE: LOCKING CKT BD. SUPPORT, SPECIAL						DWG IN IN [MM]	
CREATED USING SOLIDWORKS	FILE #: LCBSA-3	DWN: SK	APP: RT	FINAL			
TOLERANCES UNLESS NOTED XX= $\pm .010$ XXX= $\pm .005$ FRAC.= $\pm 1/64$ ANG.= $\pm 1^\circ$	SHEET: 1 OF 1	SHEET SIZE: A	DT: 08/24/06	CHKD: SJ	PART #		PRINT TYPE
RE: RICHCO, INC.	RICHCO, INC. ENG@RICHCO-INC.COM (773) 539-4060		SEE TABLE		CA		

REV.	DESCRIPTION	ENGR.	DATE
D	CHANGED PART NO. CO 200605	SK	12/02/10
C	REDRAWN, SEE ECN #1208 FOR CHANGES	SK	11/29/06
B	SEE ECN #862 FOR CHANGES	SM	10/04/04
A	UPDATED PRINT AND CHANGED FILE NO.	SM	09.27.01