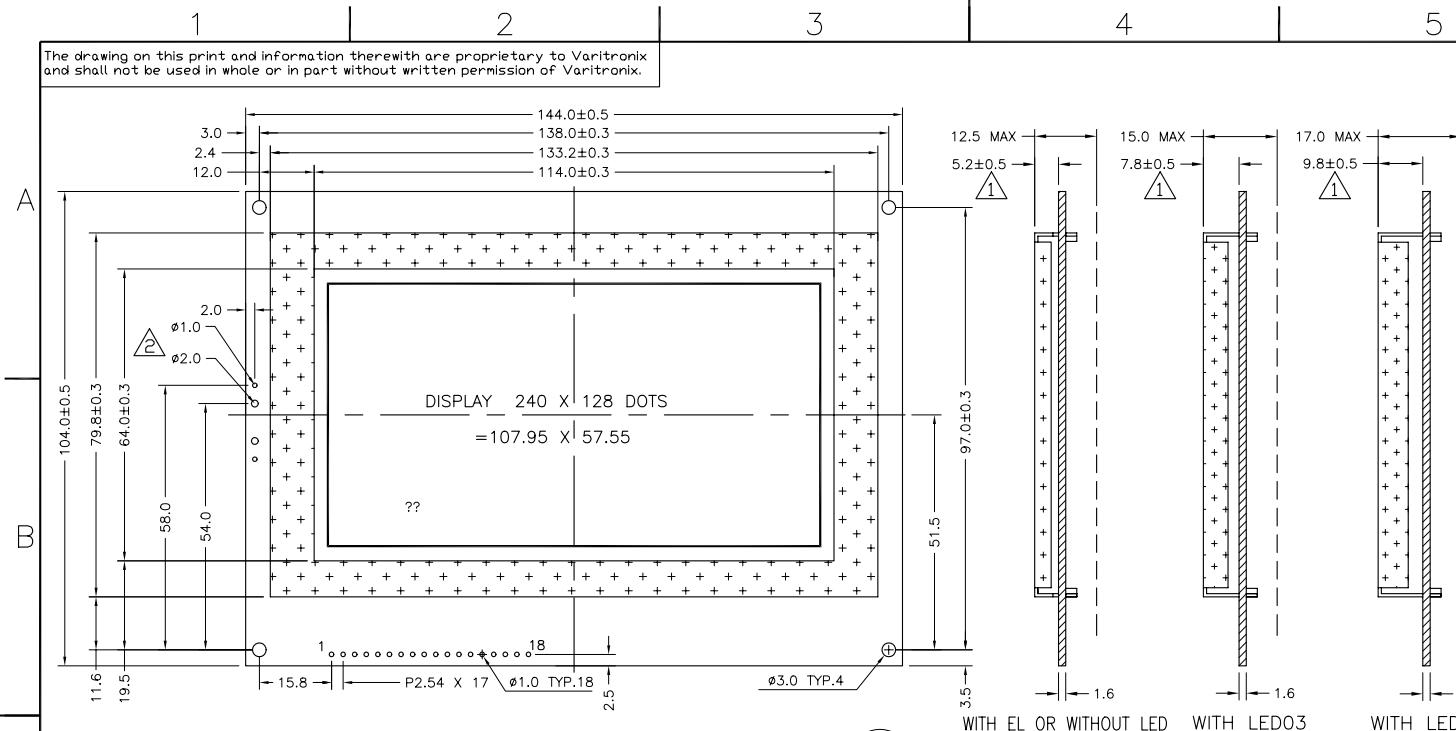
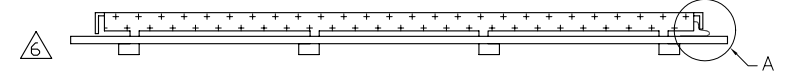
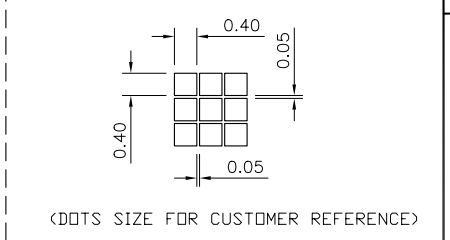


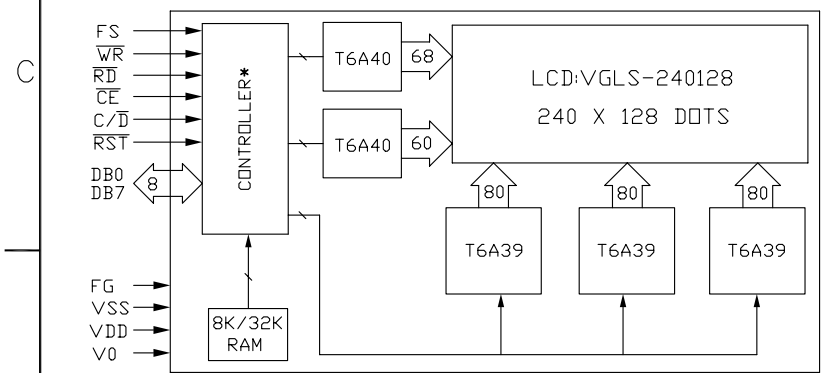
The drawing on this print and information therewith are proprietary to Varitronix and shall not be used in whole or in part without written permission of Varitronix.



ISSUE	AMENDMENT	DATE
①	UPDATE DIMENSION ADD THE NOTES	02.04.20
②	CHANGE DIMENSION	02.12.23
③	CHANGE BACKLIGHT	03.02.27
④	ADD LED05	03.09.01
⑤	REDRAW	03.10.21
⑥	ADD BOTTOM VIEW AND DETAIL DRAWING A UPDATE DIMENSION	05.08.25

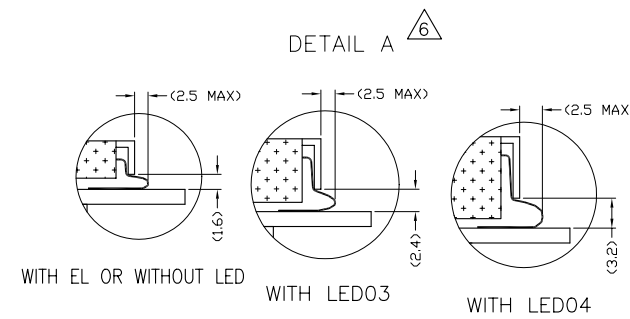


WITH EL OR WITHOUT LED WITH LED03 WITH LED04



*T6963C OR EQUIVALENT

1	2	3	4	5	6	7	8	9	10	11	12	13	14	15	16	17	18
FG	VSS	VDD	V0	/WR	/RD	/CE	C/D	/RST	DB0	DB1	DB2	DB3	DB4	DB5	DB6	DB7	FS



TITLE: LCM Module Specification			
PROJECT NO: MGLS240128T			
TOLERANCE UNLESS OTHERWISE SPECIFIED:	X.X ±0.3	X.XX ±0.1	ANGULAR: ±1°
DIMENSIONS IN MM			
MATERIAL: N/A	FINISH: N/A		
SCALE: DO NOT IN SCALE	OVERALL THK: N/A		
THIRD ANGLE PROJECTION			
	NAME	SIGN	DATE
DRAWN:	XB LONG		
CHECKED:	ZB TANG		
APPROVED:	CHARM		
ITEM NO.: MGLS240128T-XX			
DESCRIPTION: MGLS240128T			
FILE NO: MGLS240128T-XX R6/REV: 6			
SHEET	1	OF	2

- NOTES:
 1. ◇ : SPECIAL CHARACTERISTIC
 2. + : SAFETY CHARACTERISTIC
 3. ▽ : CRITICAL DIMENSION
 4. (...): REFERENCE DIMENSION



The drawing on this print and information therewith are proprietary to Varitronix and shall not be used in whole or in part without written permission of Varitronix.

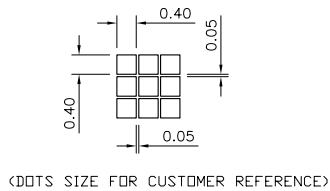
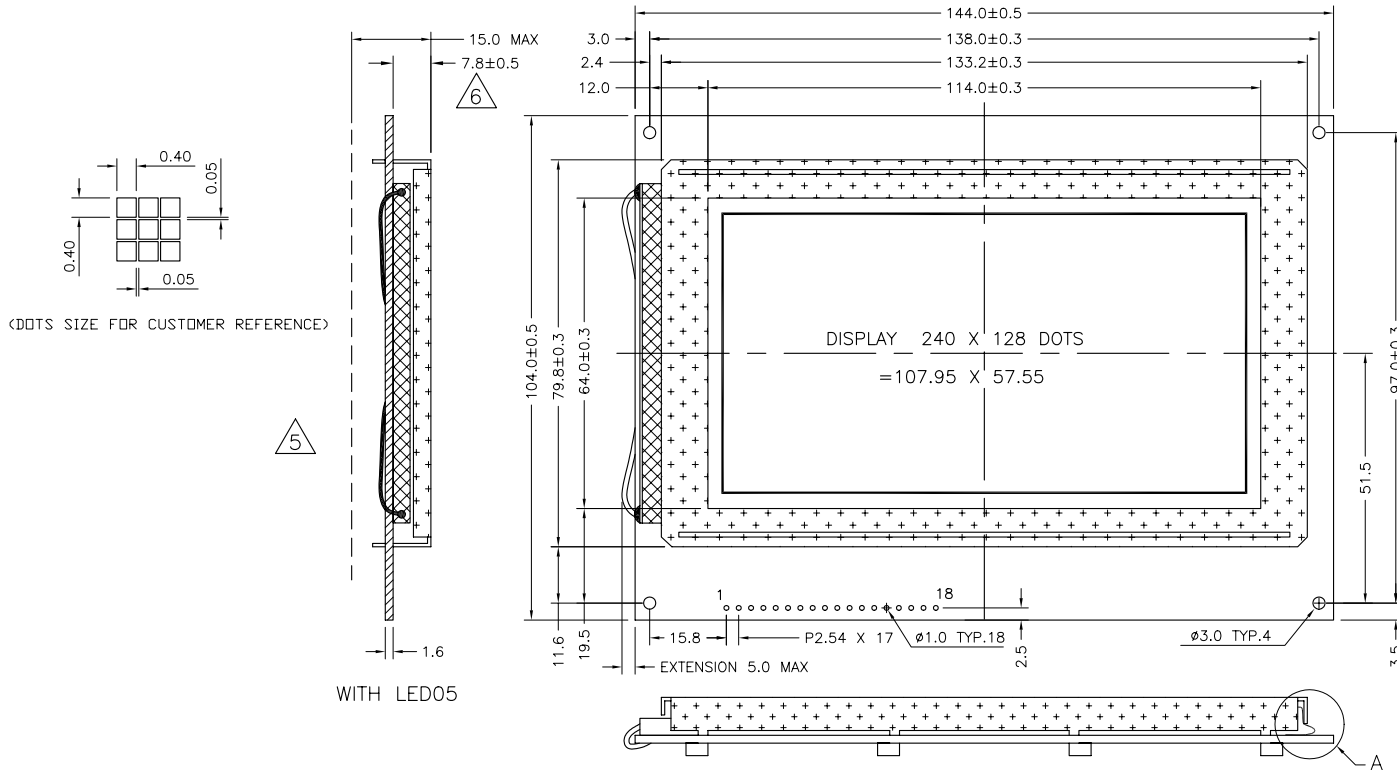
ISSUE	AMENDMENT	DATE
①	UPDATE DIMENSION ADD THE NOTES	02.04.20
②	CHANGE DIMENSION	02.12.23
③	CHANGE BACKLIGHT	03.02.27
④	ADD LEDD5	03.09.01
⑤	REDRAW	03.10.21
⑥ ³	ADD BOTTOM VIEW AND DETAIL DRAWING A UPDATE DIMENSION	05.08.25

A

B

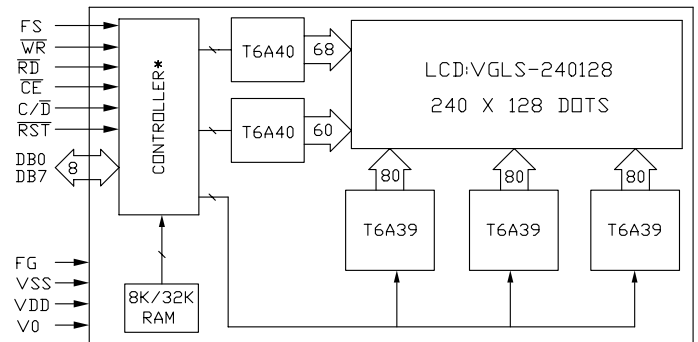
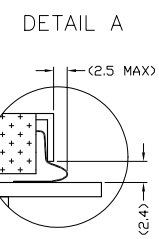
C

D



⑤

WITH LEDD5



*T6963C OR EQUIVALENT

1	2	3	4	5	6	7	8	9	10	11	12	13	14	15	16	17	18
FG	VSS	VDD	V0	/WR	/RD	/CE	C/D	/RST	DB0	DB1	DB2	DB3	DB4	DB5	DB6	DB7	FS

NOTES:
 1. ◇ : SPECIAL CHARACTERISTIC
 2. + : SAFETY CHARACTERISTIC
 3. ▽ : CRITICAL DIMENSION
 4. (...): REFERENCE DIMENSION



VARITRONIX LIMITED

TITLE: LCM Module Specification		
PROJECT NO: MGLS240128T		
TOLERANCE UNLESS OTHERWISE SPECIFIED:	X.X ±0.3	X.XX ±0.1
DIMENSIONS IN MM	ANGULAR: ± 1°	
MATERIAL: N/A	FINISH: N/A	
SCALE: DO NOT ON SCALE	OVERALL THK: N/A	
THIRD ANGLE PROJECTION		
	NAME	SIGN
DRAWN:	XB LONG	
CHECKED:	ZB TANG	
APPROVED:	CHARM	
ITEM NO.: MGLS240128T-XX		
DESCRIPTION: MGLS240128T		
FILE NO:	MGLS240128T-XX R6	REV: 6
SHEET	2	OF 2

A

B

C

D

1

2

3

4

5

6