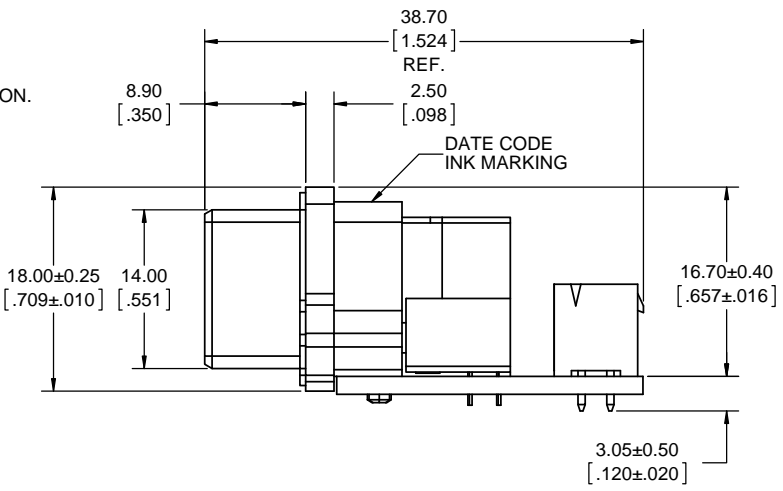
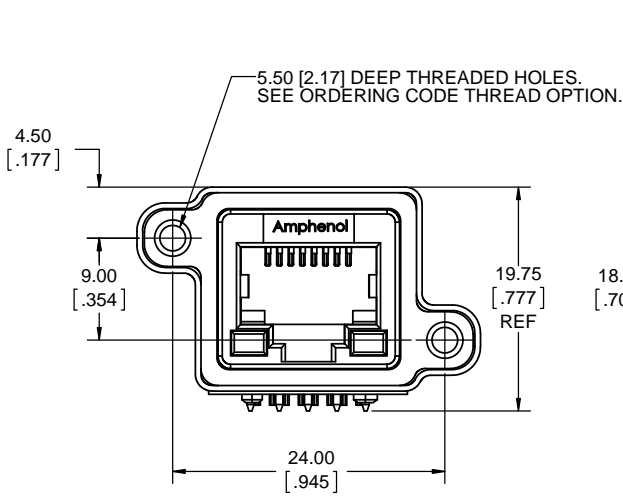


REVISIONS			
REV	DESCRIPTION, ECN, EAR NO.	DATE	APP'D
A	PRODUCT DRAWING (EAR 13240)	MAR13/08	K.L.
B	PRODUCT DRAWING (EAR 14166)	APR23/13	K.L.



**ORDERING CODE: MRJ-5D80-X1**

SERIES, RUGGED RJ

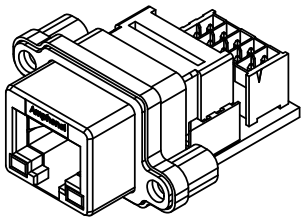
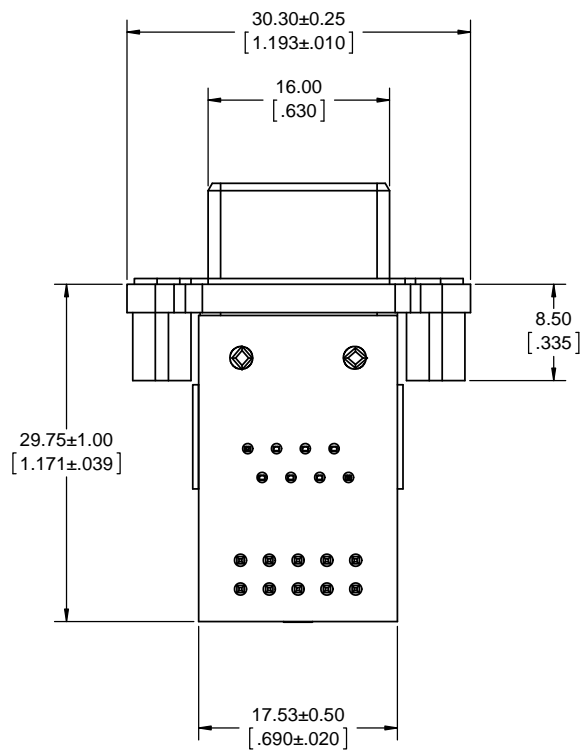
RECEPTACLE, 8 CONTACTS  
RIGHT ANGLE, ON PCB  
WITH 2 x 5 VERTICAL HEADER

LED OPTION:  
0 = NONE

MOUNTING HOLE THREAD OPTION:  
0 = #4-40 UNC THREAD  
M = M3 X 0.5 THREAD

SINGLE PORT

**SPECIAL CONNECTORS**  
MANY UNIQUE FEATURES ARE READILY AVAILABLE TO SUIT CUSTOMER REQUIREMENTS. CONSULT WITH AMPHENOL CANADA FOR DETAILS.



**NOTES:**

- MATERIAL:**  
ALL MATERIALS ARE RoHS COMPLIANT PER EU DIRECTIVE 2011/65/EU AND AMENDMENTS
  - SHELL - DIECAST ZINC ALLOY, NICKEL PLATED
  - CONTACTS - PHOSPHOR BRONZE WITH 1.27 µm [50 µ" ] GOLD OVER 1.27 µm [50 µ" ] MINIMUM NICKEL ON THE MATING AREA AND MATTE TIN OVER NICKEL ON THE CONTACT TAILS.
  - INSERTS - ENGINEERING THERMOPLASTIC, FLAMMABILITY RATING UL94V-0
  - REAR INSERTS: BLACK NYLON, FRONT INSERT: CLEAR POLYCARBONATE
  - GASKET - SILICONE RUBBER
  - PCB - FR-4 FIBERGLASS, LEAD FREE
  - HEADER - SAMTEC IPL1 SERIES OR EQUIVALENT. VERTICAL 2 x 5, BLACK THERMOPLASTIC HOUSING, COPPER ALLOY CONTACTS WITH GOLD FLASH ON MATING AREA AND TIN PLATED TAILS
- ENVIRONMENTAL PERFORMANCE PER IEC 60529 CODE IP67 FOR SEAL BETWEEN MATING AREA AND PCB SIDE OF CONNECTOR. GASKET PROVIDES SEAL TO INSIDE FACE OF PANEL.
- CURRENT RATING: 1.5 AMPERES.
- CONTACT RESISTANCE: 80 MILLIOHMS MAXIMUM (SUBJECT TO VERIFICATION).
- OPERATING TEMPERATURE: -40°C TO +105°C.
- AVAILABLE MATING AREA COVERS PROVIDE ADDED PROTECTION. CONSULT WITH AMPHENOL CANADA FOR DETAILS.
- RECOMMENDED TORQUE FOR PANEL MOUNT SCREWS: 0.45 TO 0.65 Nm [4.0 TO 5.75 IN-LBS] FOR STEEL SCREWS WITH 3.00 [.118] MINIMUM THREAD ENGAGEMENT.
- CUSTOMER TO VERIFY THAT ALL PROCESS CLEANERS ARE COMPATIBLE WITH POLYCARBONATE MATERIAL.



UNLESS SPECIFIED OTHERWISE	DRAWN	G.LI	MAR13/08
PRIMARY UNITS MILLIMETERS	CHECKED		
SECONDARY UNITS INCHES	M.E. APP'D		
REFERENCE IN PARENTHESES	Q.A. APP'D		
GENERAL TOLERANCES	DWG APPR.	K.LAMBIE	MAR26/08
1 DECIMAL PLACE	ENG. REL. NO.	EAR 13240	
2 DECIMAL PLACES ±0.15	REF.		
3 DECIMAL PLACES	THIRD ANGLE PROJECTION		
ANGULAR DEGREES	DO NOT SCALE DRAWING		

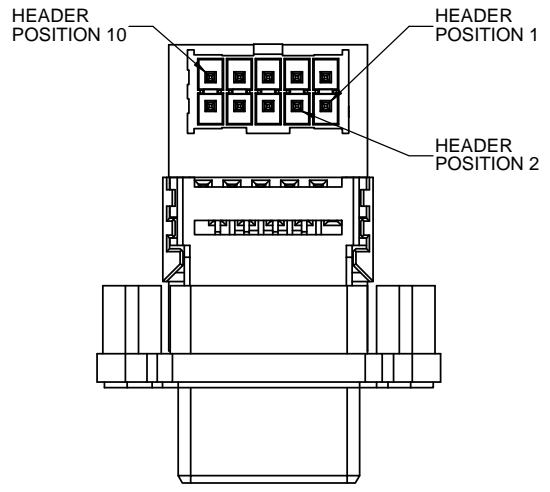
**Amphenol Canada Corp.**  
www.amphenolcanada.com

**MRJ SERIES RUGGED MODULAR JACK, 8 POSITION, RIGHT ANGLE, ON PCB, WITH 2 x 5 VERTICAL HEADER, RoHS COMPLIANT**

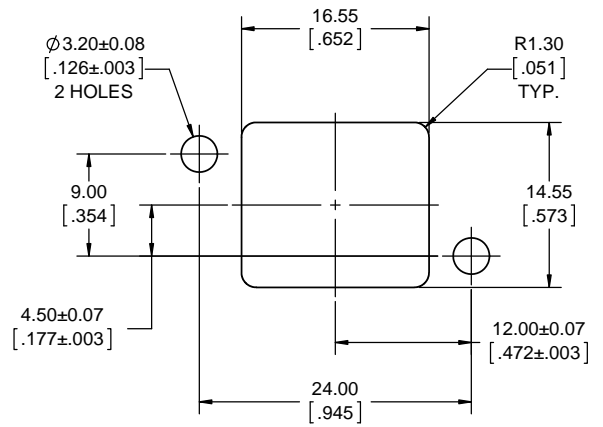
DWG. NO. **P-MRJ-5D80-X1** REV **B**

CODE ID NO. 03554 DWG SIZE: X SCALE: 3:1 SHEET 1 OF 2

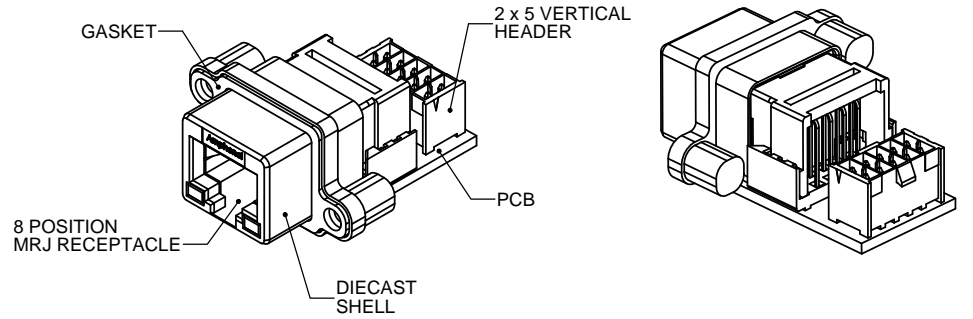
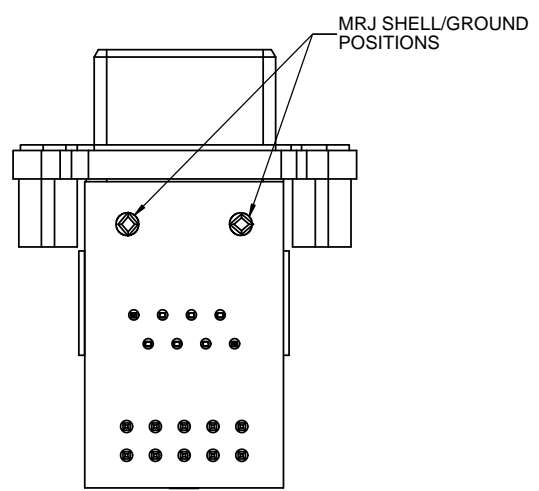
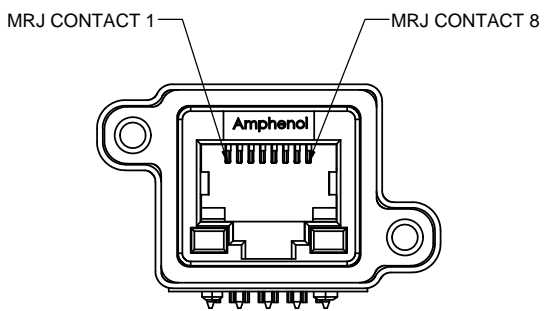
REVISIONS			
REV	DESCRIPTION, ECN, EAR NO.	DATE	APP'D
A	PRODUCT DRAWING (EAR 13240)	MAR13/08	K.L.
B	PRODUCT DRAWING (EAR 14166)	APR23/13	K.L.



MRJ TO HEADER CONNECTIONS	
MRJ	HEADER
1	5
2	9
3	4
4	8
5	3
6	7
7	2
8	6
SHELL/GROUND	1 & 10



**RECOMMENDED PANEL CUTOUT**  
OUTSIDE PANEL VIEW



UNLESS SPECIFIED OTHERWISE	DRAWN	G.L.I.	MAR13/08
PRIMARY UNITS MILLIMETERS	CHECKED		
SECONDARY INCHES	M.E. APP'D		
REFERENCE IN PARENTHESES	Q.A. APP'D		
GENERAL TOLERANCES	DWG APPR.	K.LAMBIE	MAR26/08
1 DECIMAL PLACE	ENG. REL. NO.	EAR 13240	
2 DECIMAL PLACES ±0.15	REF.		
3 DECIMAL PLACES	THIRD ANGLE PROJECTION		
ANGULAR DEGREES			

**Amphenol Canada Corp.**  
www.amphenolcanada.com

**MRJ SERIES RUGGED MODULAR JACK,  
8 POSITION, RIGHT ANGLE, ON PCB,  
WITH 2 x 5 VERTICAL HEADER,  
RoHS COMPLIANT**

DWG. NO. **P-MRJ-5D80-X1** REV **B**

CODE ID NO. 03554 DWG SIZE: X SCALE: 3:1 SHEET 2 OF 2