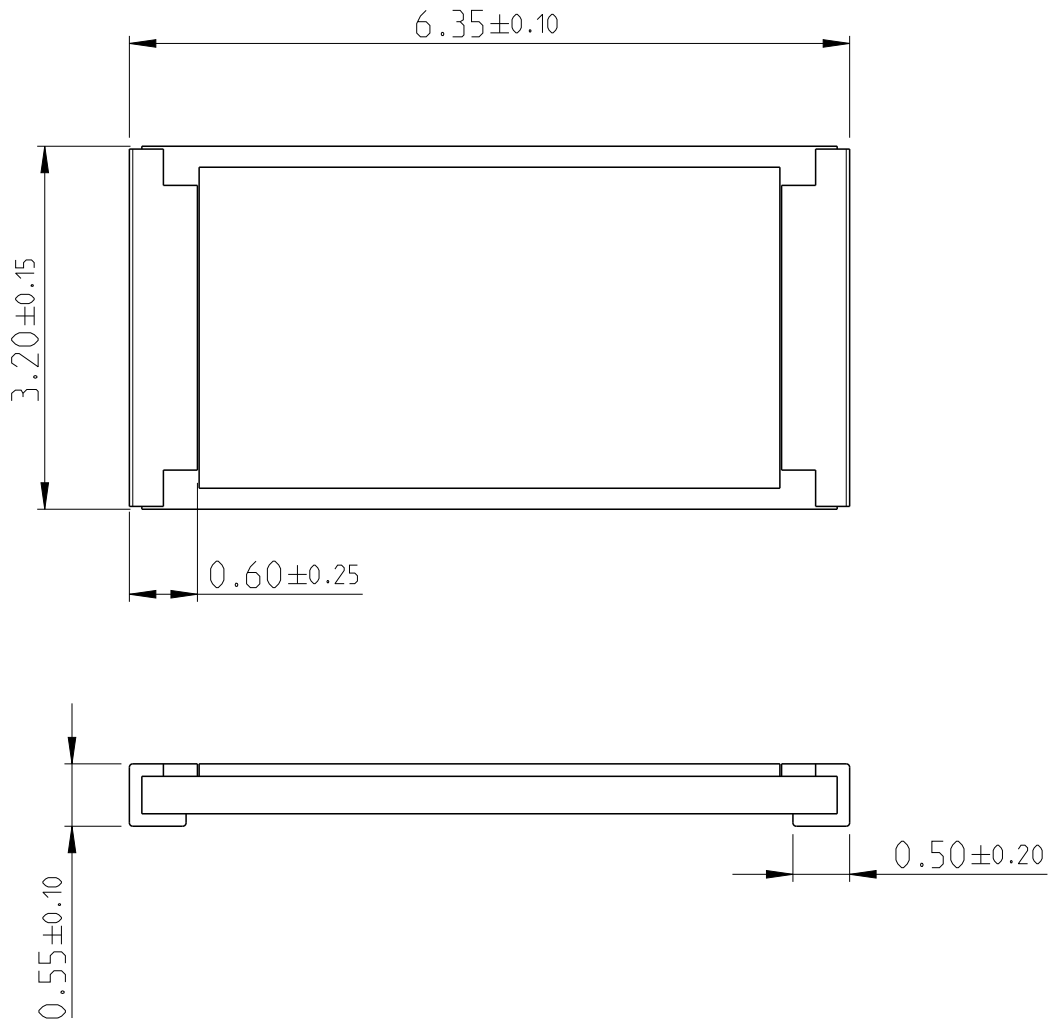
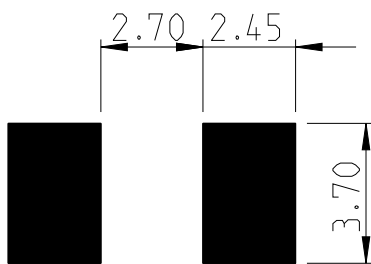


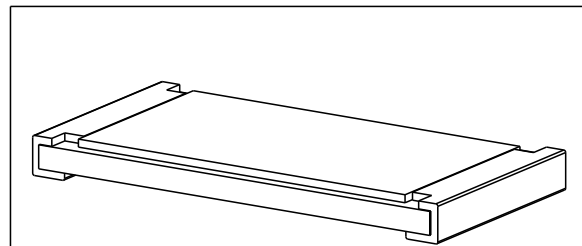
LOC	DIST	REVISIONS					
-	-	P	LTR	DESCRIPTION	DATE	DWN	APVD
		BC		ECR-16-000748	18JAN2016	KR	TN



FOR FURTHER INFORMATION SEE PRODUCT SPECIFICATION FOR CRGH SERIES



RoHS Compliant



PCB LAYOUT PLAN


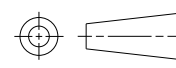
20
RELEASED FOR PUBLICATION

ALL RIGHTS RESERVED.

THIS DRAWING IS UNPUBLISHED.

BY -

© COPYRIGHT 20

DIMENSIONS: mm	DWN RAGHAVENDRA K 27JUN2012	MATERIAL	FINISH
TOLERANCES UNLESS OTHERWISE SPECIFIED:	CHK ALLAN P 27JUN2012	 TE Connectivity	
0 PLC ±	APVD TONY N 27JUN2012		
1 PLC ±0.5	PRODUCT SPEC	NAME SMD POWER RESISTORS - TYPE CRGH2512 SERIES	
2 PLC ±0.13	APPLICATION SPEC	SIZE	RESTRICTED TO
3 PLC ±0.013		CAGE CODE	
4 PLC ±0.0001		DRAWING NO	
ANGLES ±	WEIGHT	A 4	
		00779	
Customer Drawing		©=1879524	
		SCALE 40:1	SHEET 1 OF 1
			REV BC