

RED INDICATES ORIGINAL

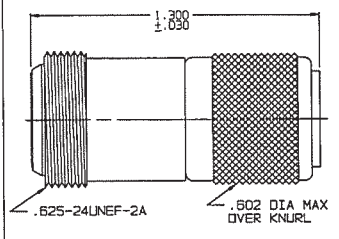
DATA CONTAINED IN THIS DOCUMENT IS PROPRIETARY TO TROMPETER ELECTRONICS, INC. AND SHALL NOT BE DISCLOSED, COPIED OR USED FOR REPRODUCTION OR MANUFACTURE WITHOUT EXPRESS WRITTEN PERMISSION.

REV		DESCRIPTION		1-0454		SH	IC
REV	ED	DESCRIPTION	DWN	APPROVED	DATE		
D	12837	DELETED: -15 BRASS CHAIN ADDED: -15, -18 AND -17 SST ROPE SEE ECD	R	L	12/1/99		

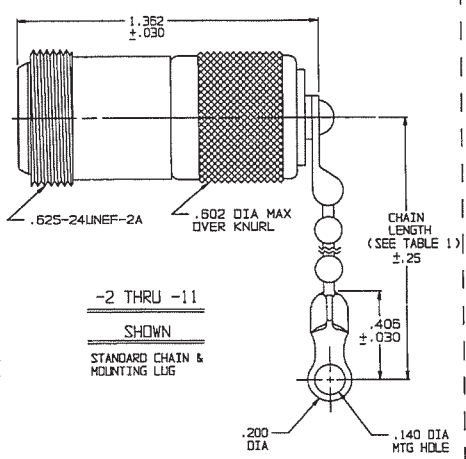
DASH NO	DESCRIPTION
-1	CAP (NO CHAIN)
-2	CAP WITH 2.50 BRASS CHAIN
-3	CAP WITH 2.50 NYLON CHAIN
-4	CAP WITH 3.00 BRASS CHAIN
-5	CAP WITH 3.00 NYLON CHAIN
-6	CAP WITH 6.00 BRASS CHAIN
-7	CAP WITH 6.00 NYLON CHAIN
-8	CAP WITH 4.00 BRASS CHAIN
-9	CAP WITH 4.00 NYLON CHAIN
-10	CAP WITH 10.00 BRASS CHAIN
-11	CAP WITH 10.00 NYLON CHAIN
-12	CAP WITH 2.50 SST ROPE
-13	CAP WITH 3.00 SST ROPE
-14	CAP WITH 8.00 SST ROPE
-15	CAP WITH 4.00 SST ROPE
-18	CAP WITH 7.00 SST ROPE
-17	CAP WITH 4.50 SST ROPE

DASH NO	"A" DIA	"B" DIA	"C" DIM	"D" DIM
-01	.755	.875	1.191	.513
-02	.630	.750	1.086	.450
-03	.505	.625	.941	.388
-04	.439	.552	.878	.355
-05	.380	.500	.816	.325
-06	.317	.437	.753	.285
-07	.281	.406	.722	.278
-08	.210	.350	.659	.250
-09	.187	.307	.603	.219
-008	.330	.450	.789	.300

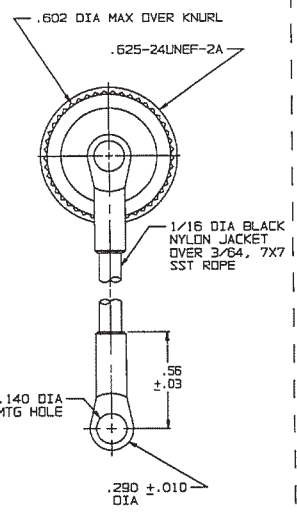
INCH	MM	INCH	MM	INCH	MM	INCH	MM
.005	0.13	.330	8.38	.587	14.40	.941	23.90
.010	0.25	.395	9.92	.602	15.29	1.003	25.48
.030	0.76	.380	9.65	.610	15.49	1.068	27.09
.032	0.81	.388	9.86	.625	15.88	1.191	30.25
.140	3.58	.406	10.31	.630	16.00	1.300	33.02
.200	5.08	.419	10.64	.687	17.45	1.362	34.59
.25	6.35	.437	11.10	.722	18.34	2.5	63.50
.278	7.06	.439	11.15	.750	19.05	3.0	76.20
.281	7.14	.450	11.43	.753	19.13	4.0	101.60
.280	7.37	.500	12.70	.755	19.18	4.50	114.30
.285	7.46	.505	12.83	.768	19.46	6.0	152.40
.300	7.62	.513	13.03	.816	20.73	7.00	177.80
.317	8.05	.56	14.22	.875	22.23	10.0	254.00
.325	8.26	.562	14.27	.878	22.30		



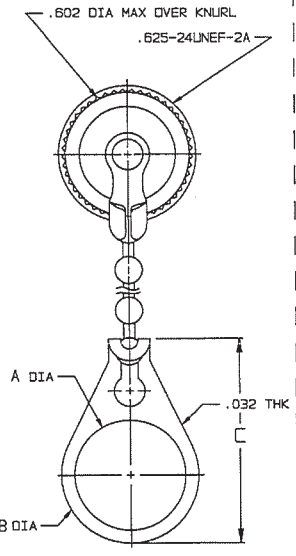
-1 SHOWN
NO CHAIN/ROPE OR MOUNTING LUG



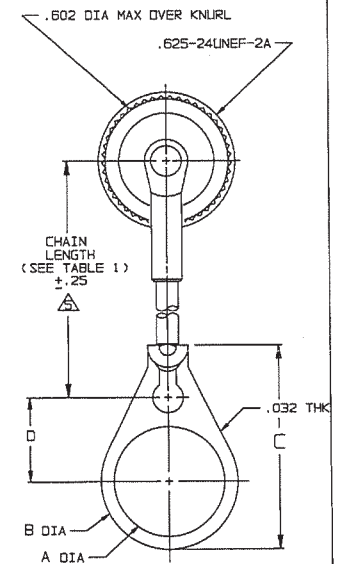
-2 THRU -11
SHOWN
STANDARD CHAIN & MOUNTING LUG



-12 THRU
-17 SHOWN
STAINLESS STEEL ROPE AND MOUNTING LUG



-2-01 THRU -11-008
SHOWN
STANDARD CHAIN AND BULKHEAD JACK MOUNTING LUG



-12-01 THRU
-17-008 SHOWN
SST ROPE AND BULKHEAD JACK MOUNTING LUG

NOTE THAT CHAIN LENGTH FOR SST ROPE WITH MOUNTING OPTION IS NOT MEASURED TO CENTER OF BULKHEAD MOUNTING LUG

4. EXAMPLE OF COMPLETE MODEL NO:
RFI97 - 2 - 01
BASIC MODEL NO - BULKHEAD JACK MOUNTING LUG (OPTIONAL) (SEE TABLE 2)
CHAIN/ROPE MATL & LENGTH (SEE TABLE 1)

- "N" SERIES RFI/DUST CAP WITH CHAIN OR JACKETED STAINLESS STEEL ROPE
- FINISH: TFS-1A (NICKEL)
- ALL DIMENSIONS ARE IN INCHES

QTY	DESCRIPTION	PART NUMBER	ITEM
TIL UNLESS SPECIFIED			
.XX ±			
.XXX ±.005			
.XXXX			
ANGLES			
DWN	R L	1/1/99	
CHK	1/2	1/23/99	
ENSR			
NEXT ASSY	APPR	1/25/99	

TROMPETER	RF connectivity	14949	1-0454	D