

Customer Information Sheet

DRAWING No.: S8421-45R

SHEET 3 OF 4

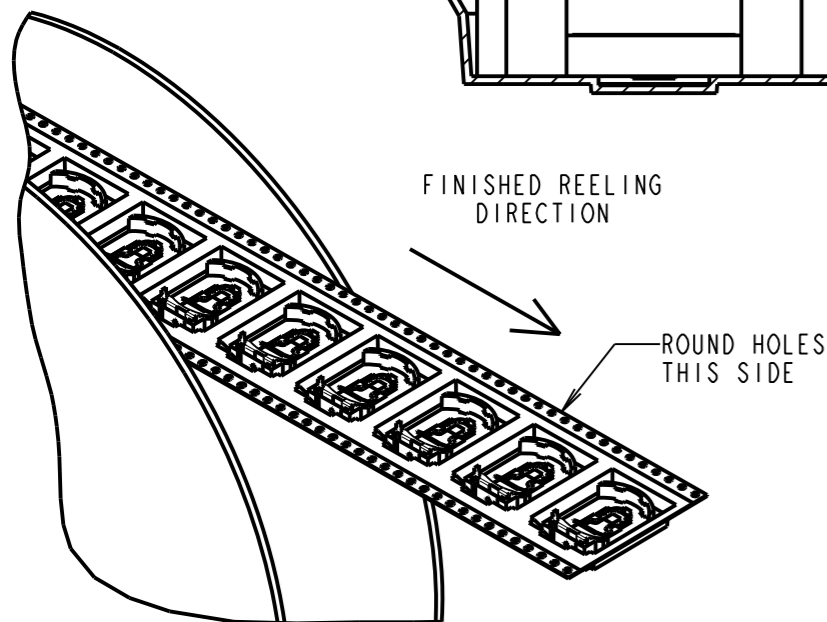
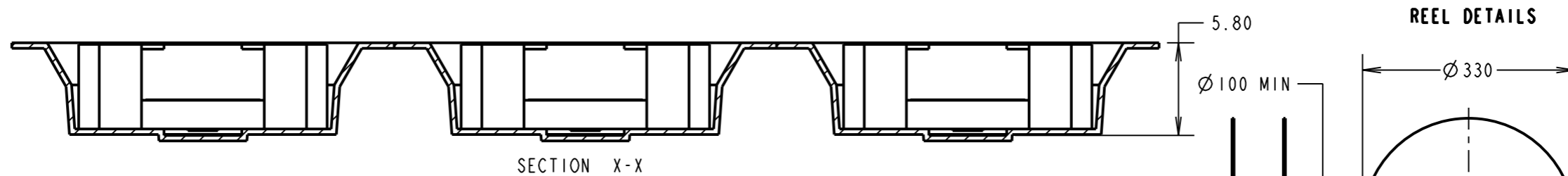
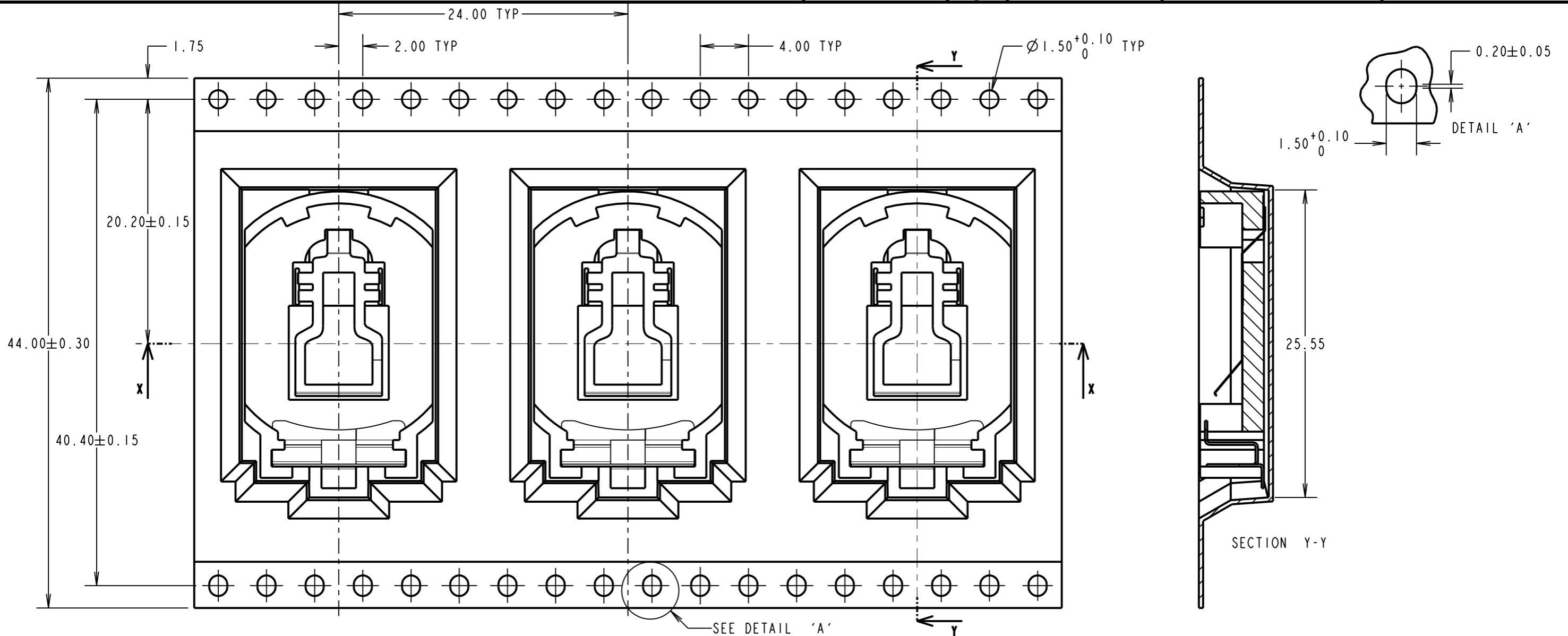
IF IN DOUBT - ASK

©

NOT TO SCALE

THIRD ANGLE PROJECTION

ALL DIMENSIONS IN mm



NOTES:

1. FOR CONNECTOR DETAILS SEE SHEET 4.
2. QUANTITY PER REEL = 500.
3. TAPE AND REELING TO BE IN ACCORDANCE WITH EIA-481 (ELECTRONIC INDUSTRIES ASSOCIATION)

MSP	4	17.01.17	12886
NAME	ISS.	DATE	C/NOTE
APPROVED:		M. PERREN	
CHECKED:		S. BENNETT	
DRAWN:		R. ADDE	
CUSTOMER REF.:			
ASSEMBLY DRG:			

HARWIN

www.harwin.com
technical@harwin.com

THIS DRAWING AND ANY INFORMATION OR DESCRIPTIVE MATTER SET OUT HEREON ARE CONFIDENTIAL AND COPYRIGHT PROPERTY OF THE HARWIN GROUP AND MUST NOT BE DISCLOSED, LOANED, COPIED OR USED FOR MANUFACTURING, TENDERING OR FOR ANY OTHER PURPOSE WITHOUT THEIR WRITTEN PERMISSION.

TOLERANCES

X. = ±1mm
X.X = ±0.25mm
X.XX = ±0.10mm
X.XXX = ±0.01mm
ANGLES = ±5°
UNLESS STATED

MATERIAL:

SEE SHEET 1

FINISH:

SEE SHEET 1

S/AREA:

mm²

TITLE:

SMT COIN CELL HOLDER
FOR CR2032 TAPE & REELED

DRAWING NUMBER:

S8421-45R

SHT
3
OF
4

Customer Information Sheet

DRAWING No.: S8421-45R SHEET 4 OF 4

IF IN DOUBT - ASK

©

NOT TO SCALE

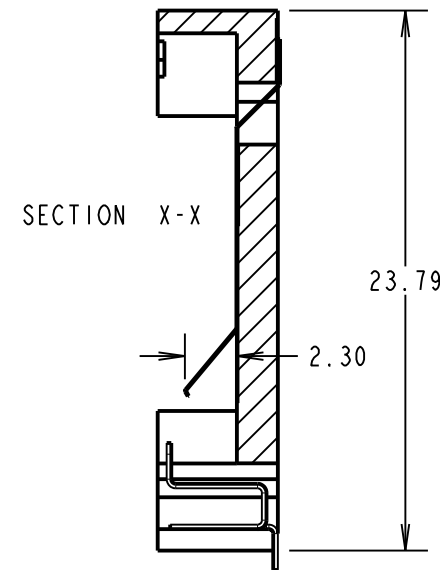
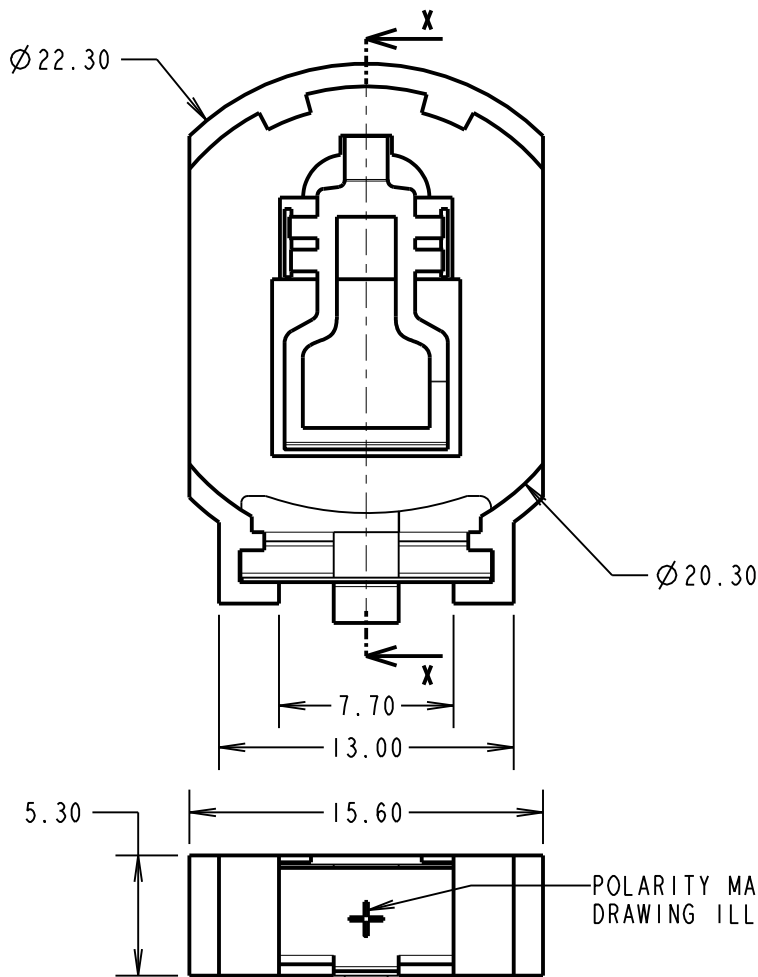
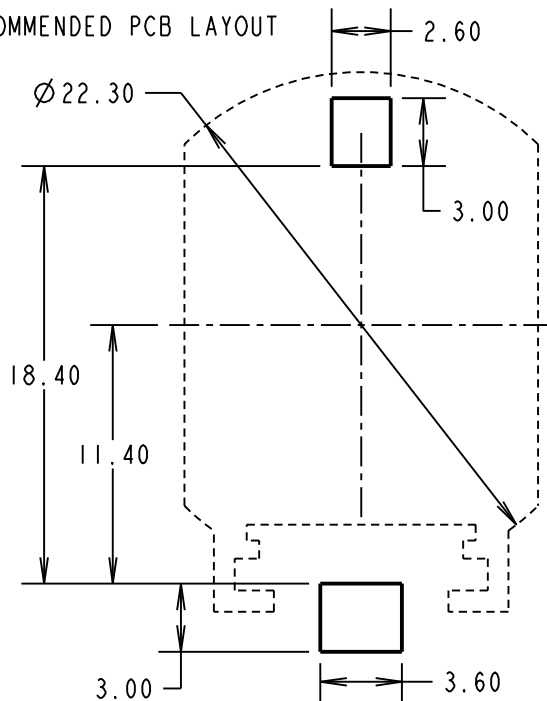
THIRD ANGLE PROJECTION

ALL DIMENSIONS IN mm

SPECIFICATIONS:

MATERIAL:
 MOULDING: PPS 30% G/F, UL94V-0, BROWN
 CONTACT: PHOSPHOR BRONZE
FINISH:
 CONTACTS = GOLD
ELECTRICAL:
 CONTACT RESISTANCE = 12mΩ
 INSULATION RESISTANCE = 500MΩ
 DIELECTRIC VOLTAGE = 500V AC FOR 1 MINUTE
ENVIRONMENTAL:
 OPERATING TEMPERATURE = -40°C TO +105°C

RECOMMENDED PCB LAYOUT



- NOTES:**
 1. SUITABLE FOR THE FOLLOWING COIN CELL: CR2032.
 2. ALL TOLERANCES ARE ±0.20 UNLESS OTHERWISE STATED.

MSP	4	17.01.17	12886
NAME	ISS.	DATE	C/NOTE
APPROVED:		M. PERREN	
CHECKED:		S. BENNETT	
DRAWN:		R. ADDE	
CUSTOMER REF.:			
ASSEMBLY DRG:			

HARWIN

www.harwin.com
 technical@harwin.com

THIS DRAWING AND ANY INFORMATION OR DESCRIPTIVE MATTER SET OUT HEREON ARE CONFIDENTIAL AND COPYRIGHT PROPERTY OF THE HARWIN GROUP AND MUST NOT BE DISCLOSED, LOANED, COPIED OR USED FOR MANUFACTURING, TENDERING OR FOR ANY OTHER PURPOSE WITHOUT THEIR WRITTEN PERMISSION.

TOLERANCES
~~X. = ±1mm
 X.X = ±0.50mm
 X.XX = ±0.10mm
 X.XXX = ±0.01mm~~
 ANGLES = ±5°
 UNLESS STATED

MATERIAL:
 SEE ABOVE
FINISH: SEE ABOVE
S/AREA: mm²

TITLE:
 COIN CELL HOLDER FOR CR2032
DRAWING NUMBER:
S8421-45R
 SHT 4 OF 4