

DESIGNED & DIMENSIONED
IN MILLIMETERS[INCHES]

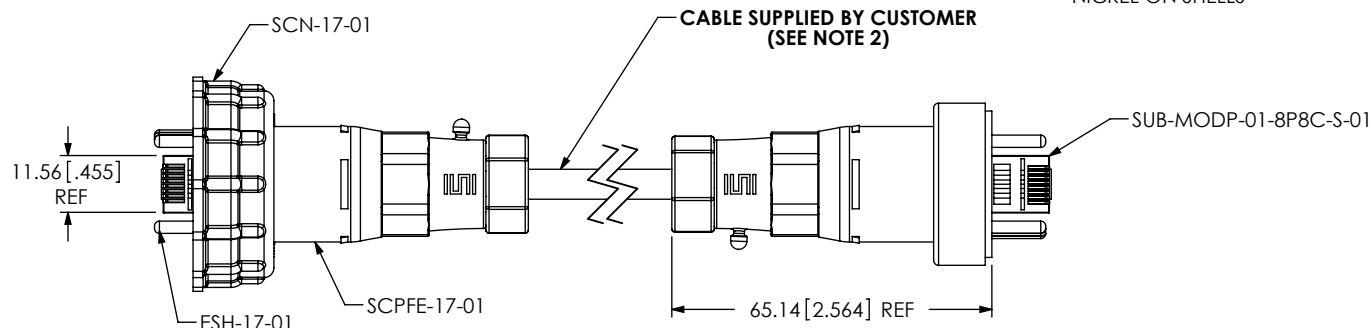
SCPFE-XX-X-XX-XX

SIZE
-17

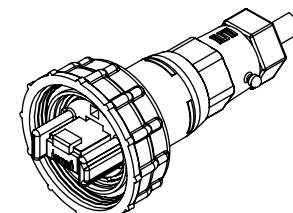
POLARIZATION OPTION
-NP: NO POLARIZATION
(ONLY MATES WITH
SCRES-X-XX.XX-XX-C5E)

STYLE
-01: FOR CABLE OD RANGE OF
5.00-5.75MM (SEE TABLE 3)
-02: FOR CABLE OD RANGE OF
5.75-6.50MM (SEE TABLE 3)

PLATING SPECIFICATION
-G: .000050" GOLD ON
CONTACT AREAS,
NICKEL ON SHELLS



(EXPLODED VIEW SHOWN ON SHEET 2)



SCPFE-17-G-XX

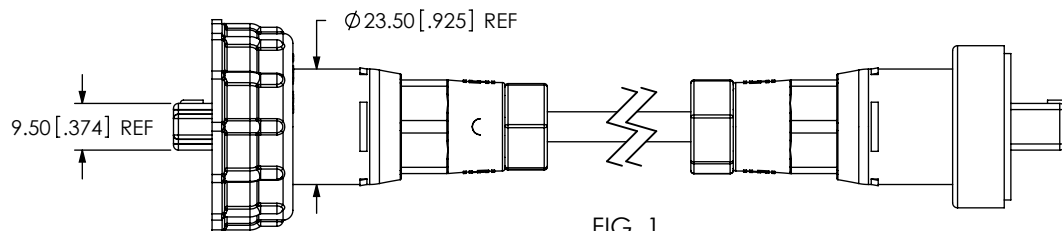
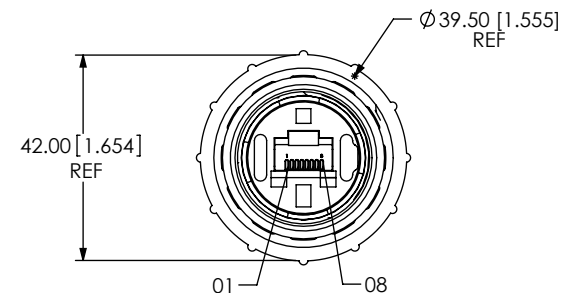


FIG. 1
SCPFE-17-G-XX SHOWN
(SEE FIG. 2 ON SHEET 2 FOR EXPLODED VIEW)



PART NUMBER	ITEM	MATERIAL	QTY
SCN-17-01	PANEL MOUNT NUT	NYLON	1
SUB-MODP-01-8P8C-S-01	ETHERNET PLUG	RJ45	1
SCN-17-02	CABLE NUT	NYLON	1
SCN-17-03	ETHERNET NUT	NYLON	1
ESH-17-XX	ETHERNET SHROUD	NYLON	1
SCPFE-17-01	HOUSING	NYLON	1
NCC-17-01	COMPRESSION CAGE	NYLON	1
SG-17-XX (SEE TABLE 3)	SEALING GLAND	NEOPRENE	1
SCPFE-TOOL-01	ETHERNET TOOL	ABS	1
SCPFE001	INSTRUCTIONS	PAPER	1

STYLE	COLOR	SG-17-XX
-01	YELLOW	SG-17-01
-02	ORANGE	SG-17-02

NOTES:

1. RECOMMENDED CABLE SHOULD BE CAT5E W/ A CABLE DIAMETER RANGE OF 5.0-6.5MM.
2. KIT TO BE SHIPPED IN HEAT-SEALED, PINK POLY BAGS. SEE TABLE 1 FOR BILL OF MATERIALS
3. TORQUE SPECIFICATION FOR SCN-17-01 IS 12 IN-LBS.

UNLESS OTHERWISE SPECIFIED,
DIMENSIONS ARE IN MM.
TOLERANCES ARE:
DECIMALS ANGLES
.X: ±.25[.01] 2°
.XX: ±.08[.003]
.XXX: ±.050[.002]

PROPRIETARY NOTE
THIS DOCUMENT CONTAINS INFORMATION
CONFIDENTIAL AND PROPRIETARY TO
SAMTEC, INC. AND SHALL NOT BE REPRODUCED
OR TRANSFERRED TO OTHER DOCUMENTS OR
DISCLOSED TO OTHERS OR USED FOR ANY
PURPOSE OTHER THAN THAT WHICH IT WAS
OBTAINED WITHOUT THE EXPRESSED WRITTEN
CONSENT OF SAMTEC, INC.



520 PARK EAST BLVD, NEW ALBANY, IN 47150
PHONE: 812-944-6733 FAX: 812-948-5047
e-Mail: info@SAMTEC.com code: 55322

MATERIAL: DO NOT SCALE DRAWING SHEET SCALE: 2:1
(SEE TABLE 1)

DESCRIPTION:
SEALED CIRCULAR CABLE PLUG, FIELD TERMINATED ETHERNET

DWG. NO.
SCPFE-XX-X-XX-XX

BY: B.HARPENAU 3/29/2006 SHEET 1 OF 2

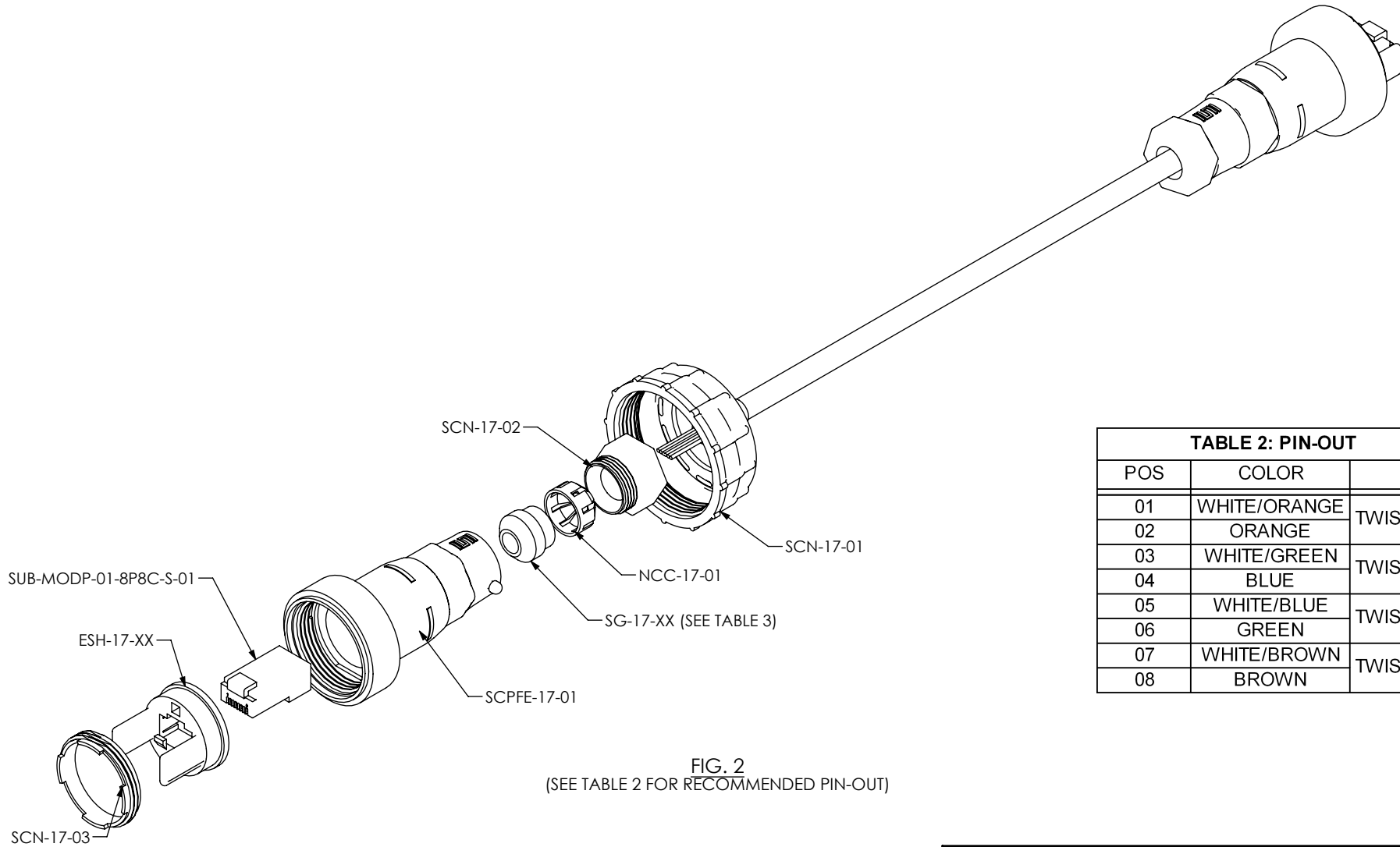



TABLE 2: PIN-OUT

POS	COLOR	
01	WHITE/ORANGE	TWISTING
02	ORANGE	
03	WHITE/GREEN	TWISTING
04	BLUE	
05	WHITE/BLUE	TWISTING
06	GREEN	
07	WHITE/BROWN	TWISTING
08	BROWN	

FIG. 2
(SEE TABLE 2 FOR RECOMMENDED PIN-OUT)

<p>PROPRIETARY NOTE THIS DOCUMENT CONTAINS INFORMATION CONFIDENTIAL AND PROPRIETARY TO SAMTEC, INC. AND SHALL NOT BE REPRODUCED OR TRANSFERRED TO OTHER DOCUMENTS OR DISCLOSED TO OTHERS OR USED FOR ANY PURPOSE OTHER THAN THAT WHICH IT WAS OBTAINED WITHOUT THE EXPRESSED WRITTEN CONSENT OF SAMTEC, INC.</p> <p>DO NOT SCALE DRAWING</p> <p>SHEET SCALE: 1:1</p>		
	<p>520 PARK EAST BLVD, NEW ALBANY, IN 47150 PHONE: 812-944-6733 FAX: 812-948-5047 e-Mail: info@SAMTEC.com code: 55322</p>	
	<p>DESCRIPTION: SEALED CIRCULAR CABLE PLUG, FIELD TERMINATED ETHERNET</p>	
	<p>DWG. NO. SCPFE-XX-X-XX-XX</p>	
<p>BY: B.HARPENAU 3/29/2006</p>		<p>SHEET 2 OF 2</p>