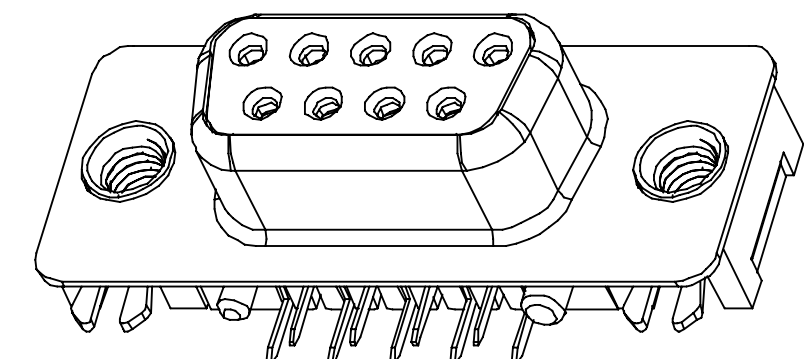
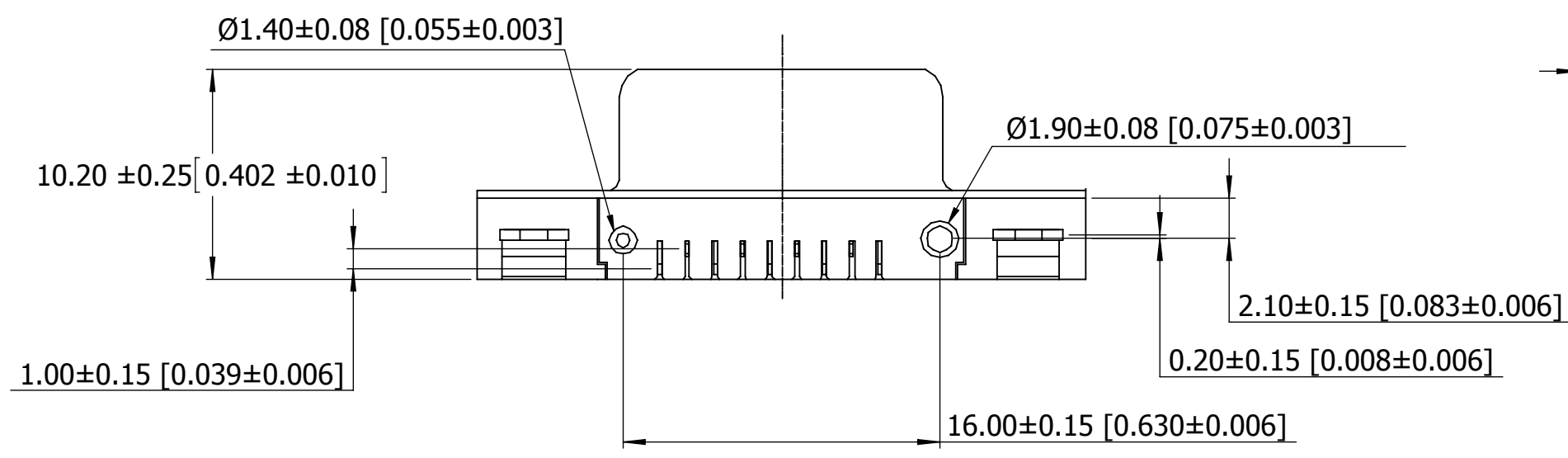
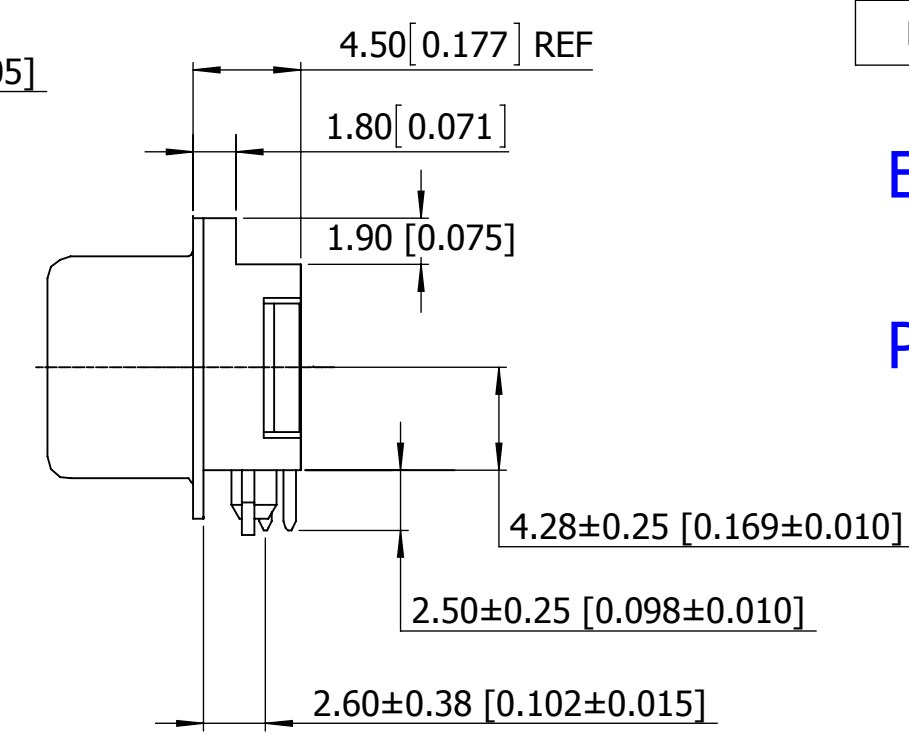
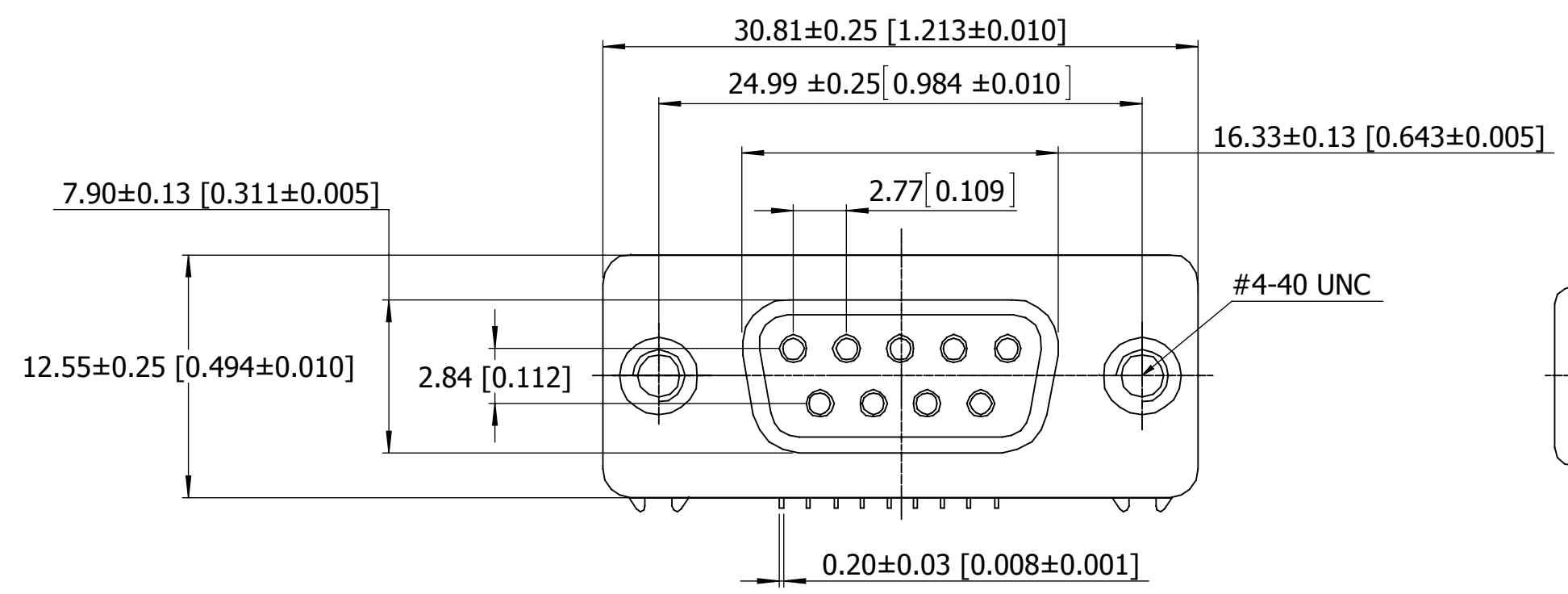


REVISIONS				
REV.	ECO. NO	DESCRIPTION	DATE	BY
B	2576	UPDATE PART NUMBER CODING	05/10/2012	LH
C	2616	REMOVE 'B' PLATING	06/14/2012	LH
D	2902	REMOVE 'U' AND 'C' PLATING	01/27/2014	LH

ECO 2933 TO ADD 25-POSITION MALE & 'B' PLATING, JEN 3/11/2014

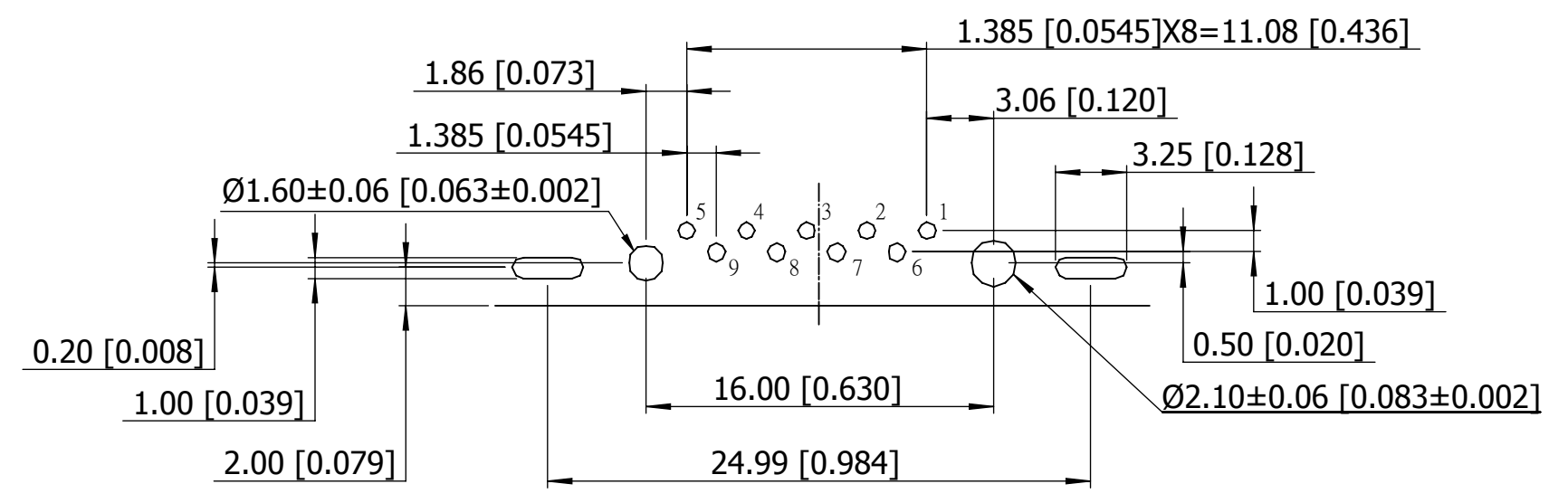
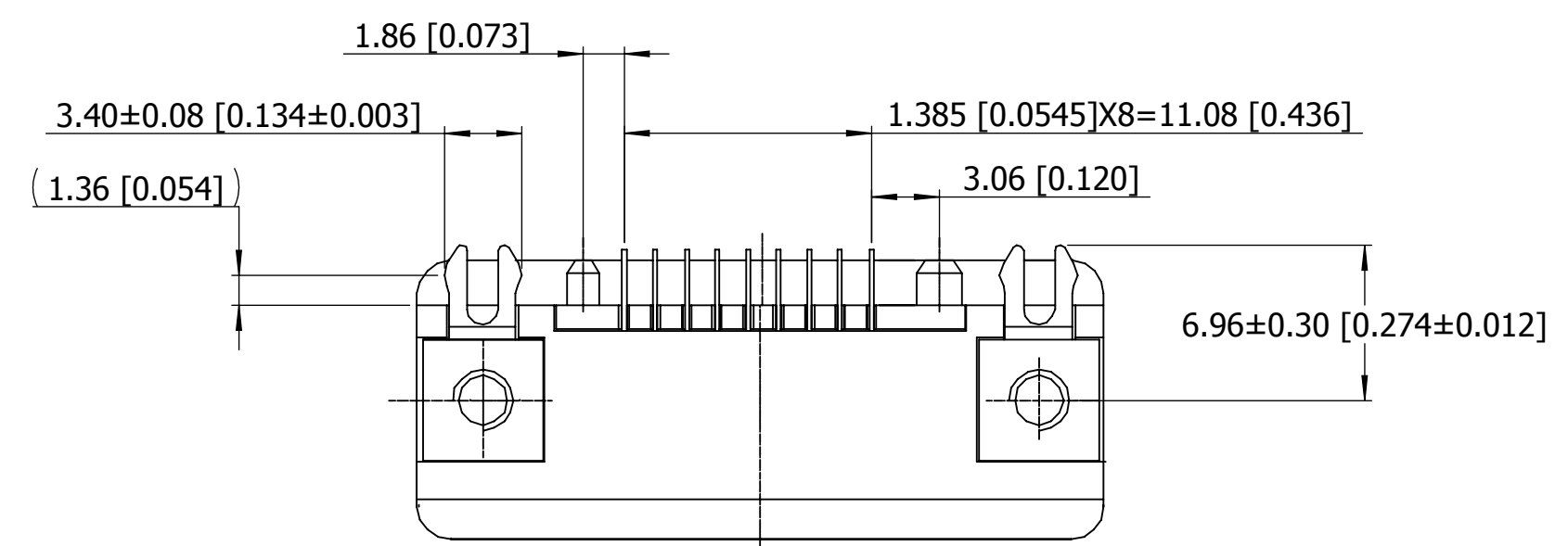


(PN EXAMPLE: SDS223-PRW2-F09-SN13-2)

NOTES:

MATERIAL
 INSULATOR : GLASS-FILLED THERMOPLASTIC PBT, UL94V-0
 CONTACT: BRASS
 SHELL : SPCC, .000100" TIN OVER .000050" MIN. COPPER (STANDARD, SEE PAGE 4)
 CLINCH NUT : BRASS, NICKEL PLATED
 BOARDLOCK : BRASS, TIN PLATED
 SCREWLOCK : STEEL, NICKEL PLATED
 OPERATING TEMPERATURE : -55°C TO +105°C

ELECTRICAL
 CONTACT RESISTANCE : 20 MILLIOHMS MAX AT 1 AMP DC
 INSULATION RESISTANCE : 1000 MAGOHMS AT 500 VDC
 DIELECTRIC WITHSTANDING VOLTAGE : 1000 VAC/RMS 60Hz FOR 1 MINUTE
 CURRENT RATING : 3 AMPS
 VOLATGE RATING : 250 VAC/RMS 60Hz

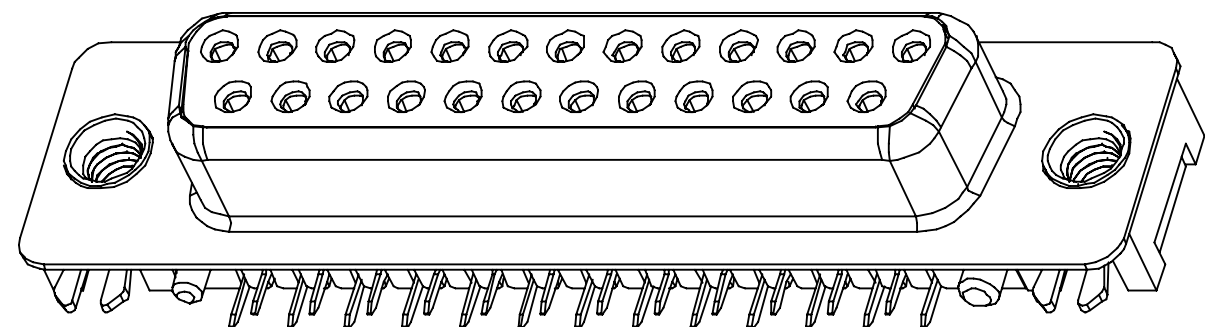
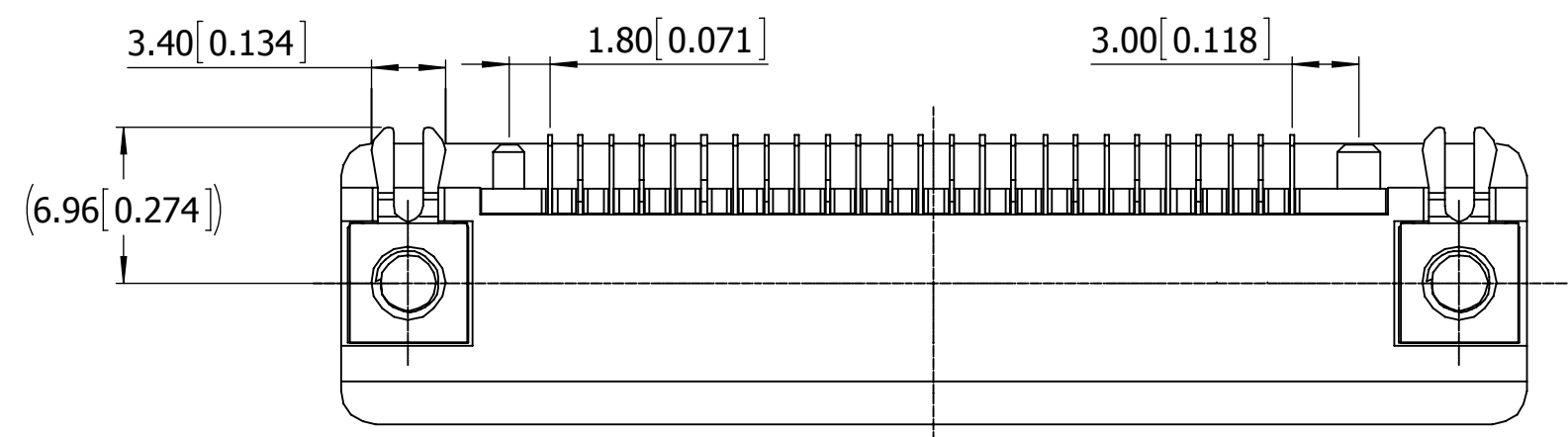
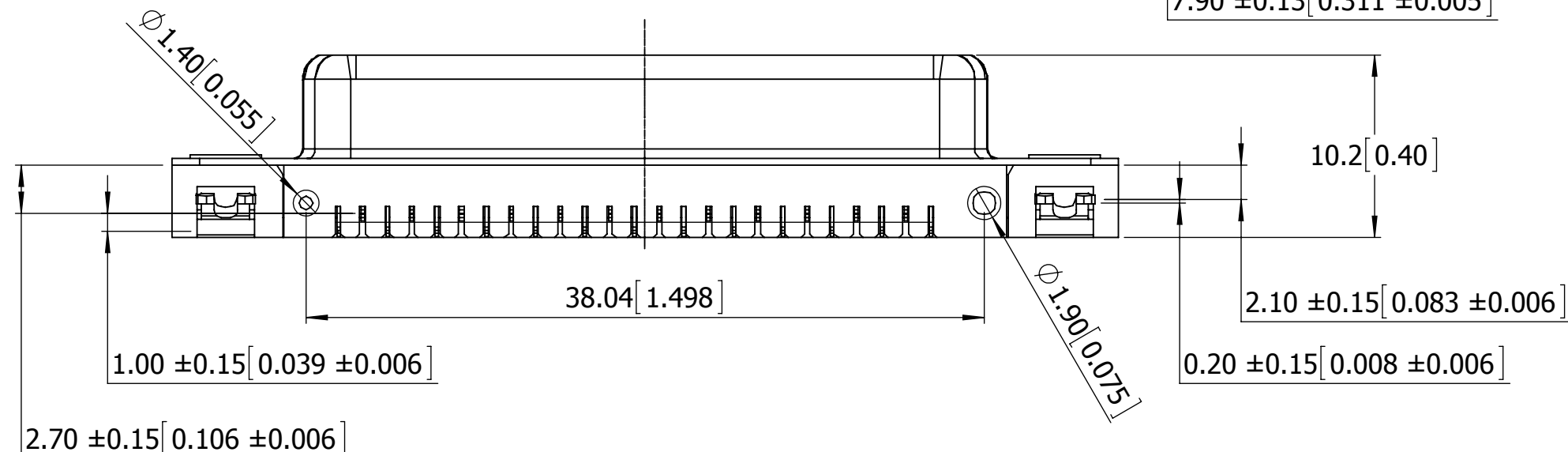
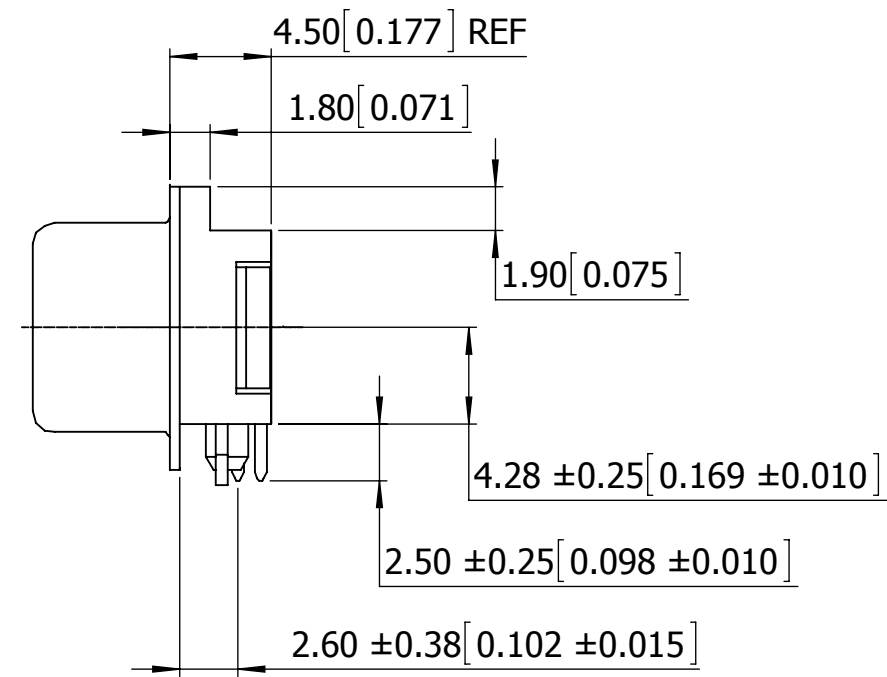
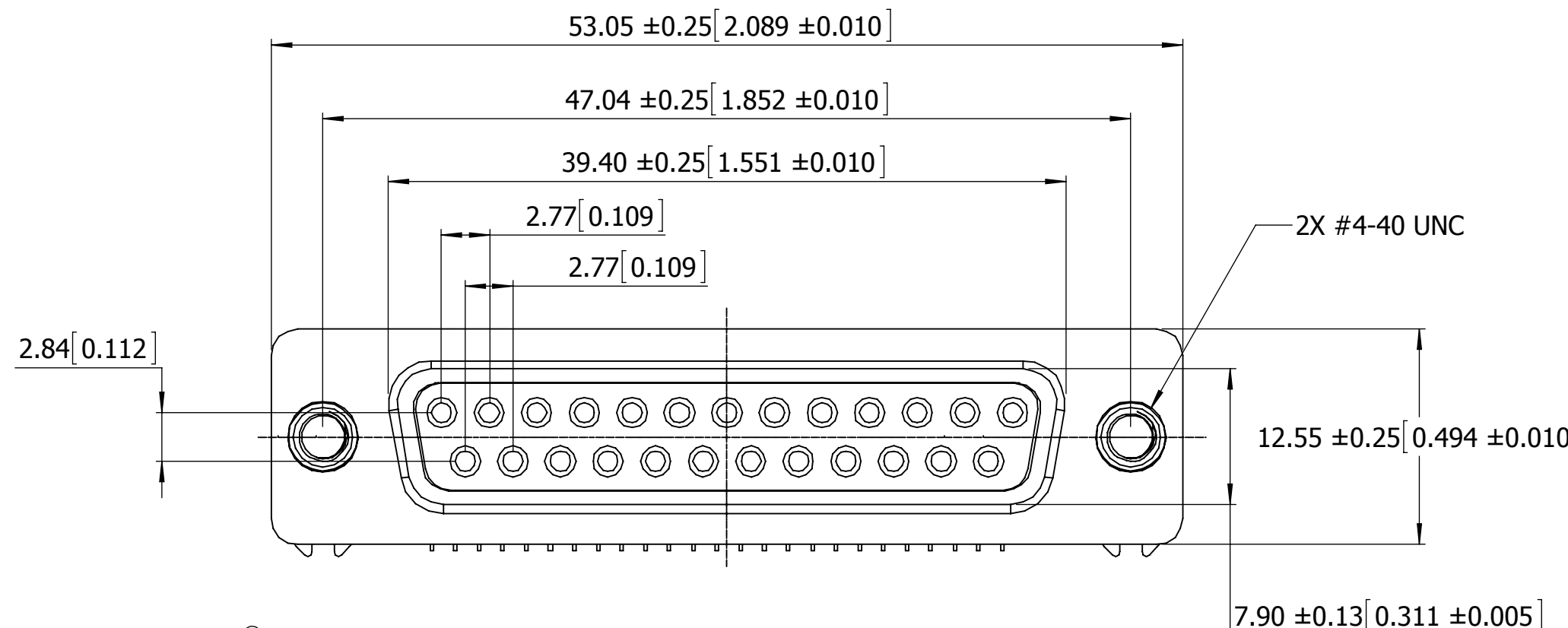


RECOMMENDED PCB LAYOUT

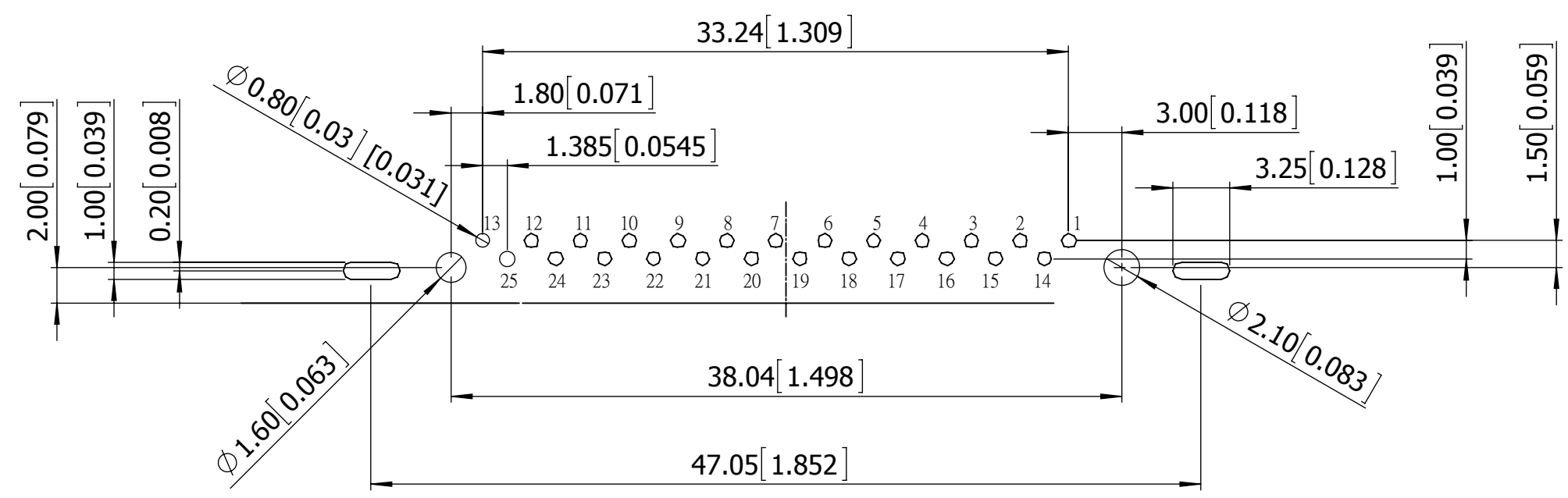


RoHS COMPLIANT

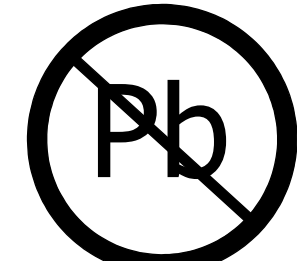
UNLESS OTHERWISE SPECIFIED: DIMENSIONS ARE IN MM [INCHES]		DRAWN	DATE	NAME	
			07/01/2011	LH	
TOLERANCES: ANGULAR: ± 3° DECIMALS X.= ± 0.38 [.015] X.= ± 0.25 [.010] .XX= ± 0.13 [.005]					TITLE 223 SERIES D-SUB RIGHT ANGLE SLIM TYPE PART NUMBER SDS223-PRW - - -SN - -
		SIZE	CAGE CODE	DWG. NO.	REV
		C	54453	11803	D
		SCALE: 1:8		SHEET 1 OF 4	



(PN EXAMPLE: SDS223-PRW2-F25-SN13-2)

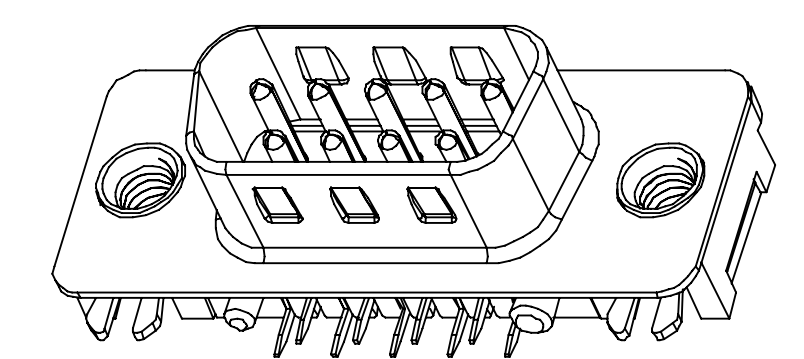
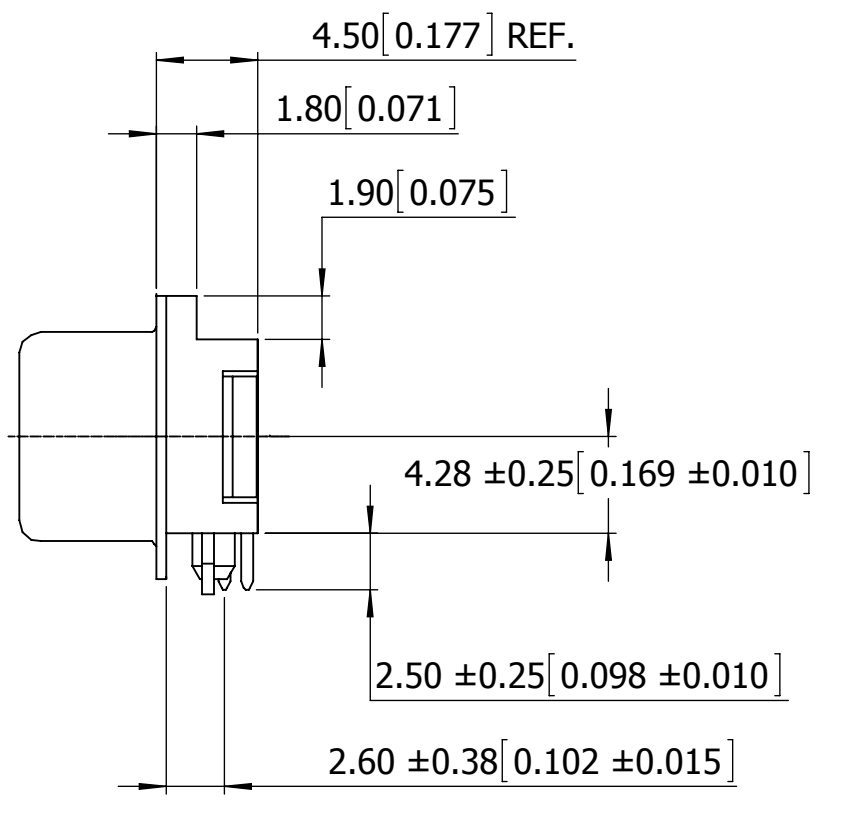
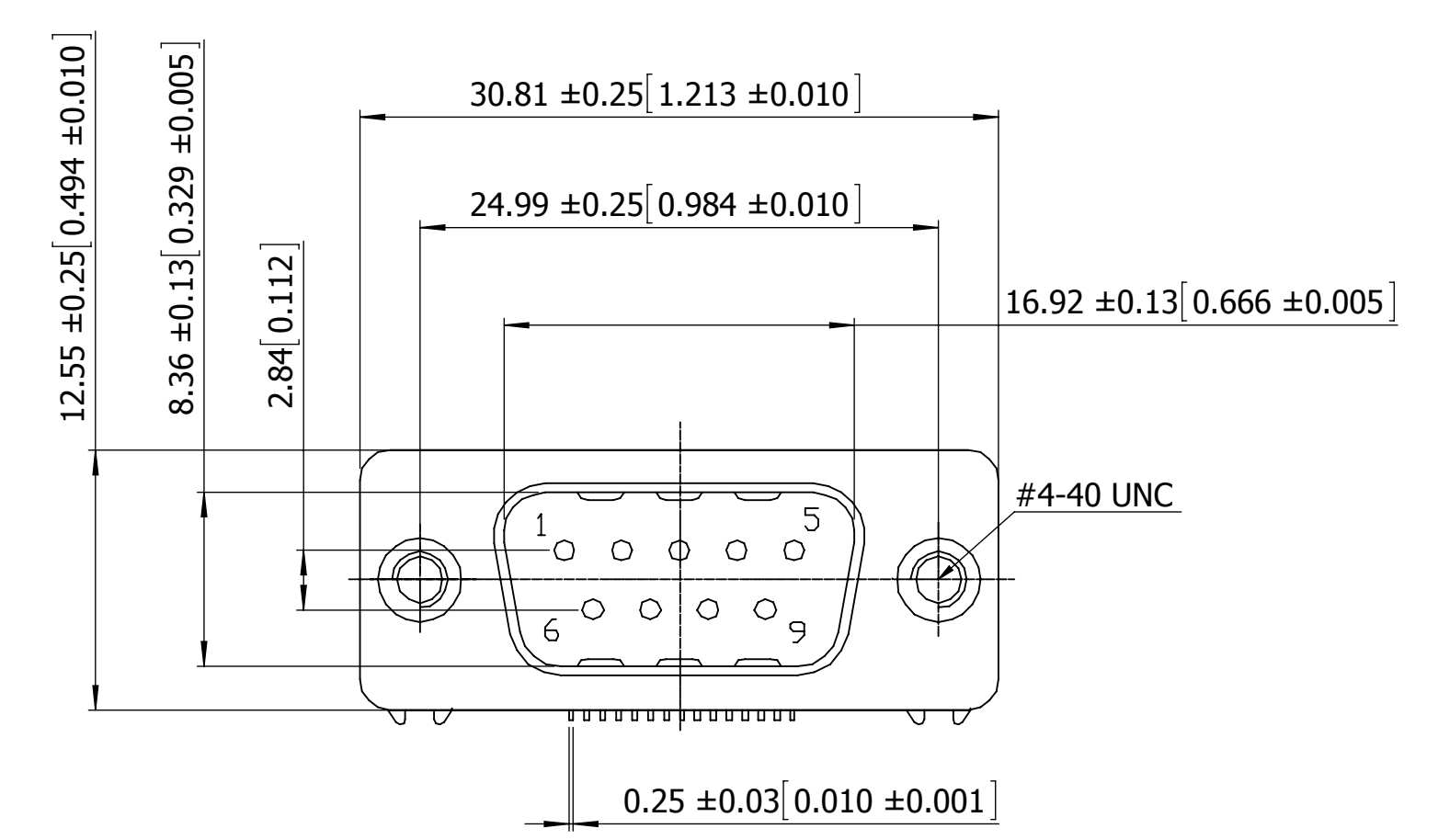


RECOMMENDED PCB LAYOUT

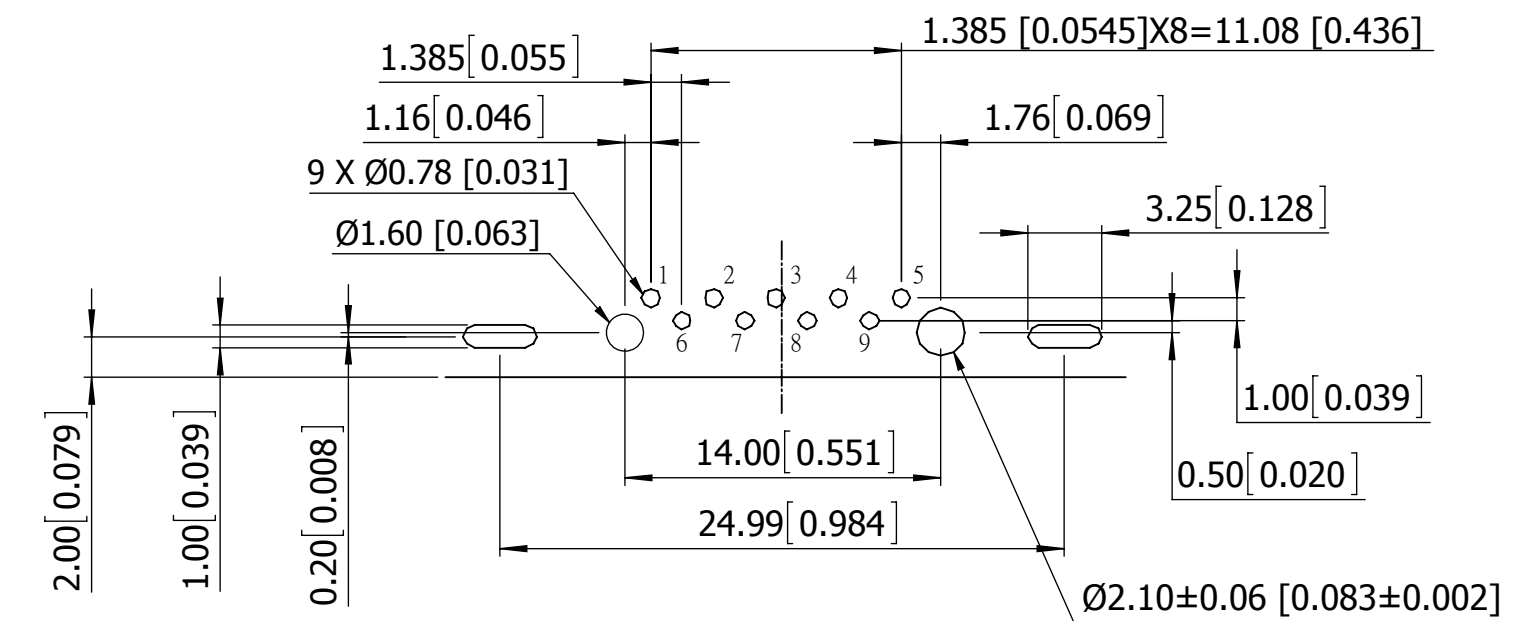
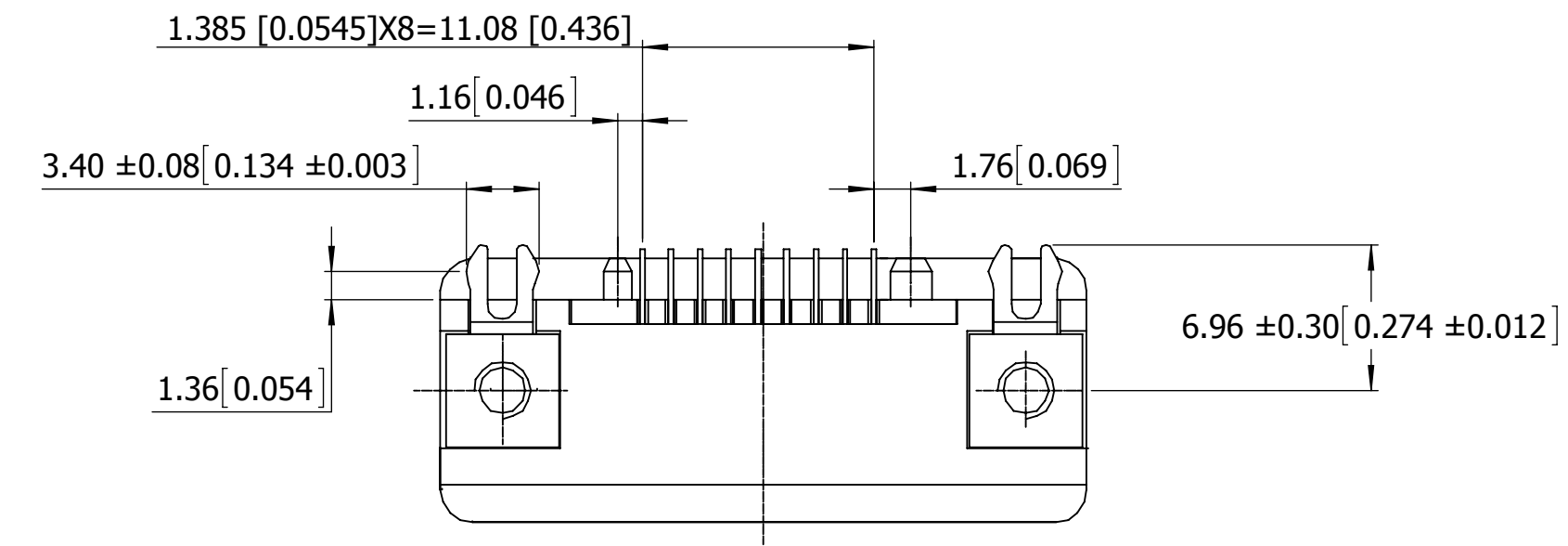
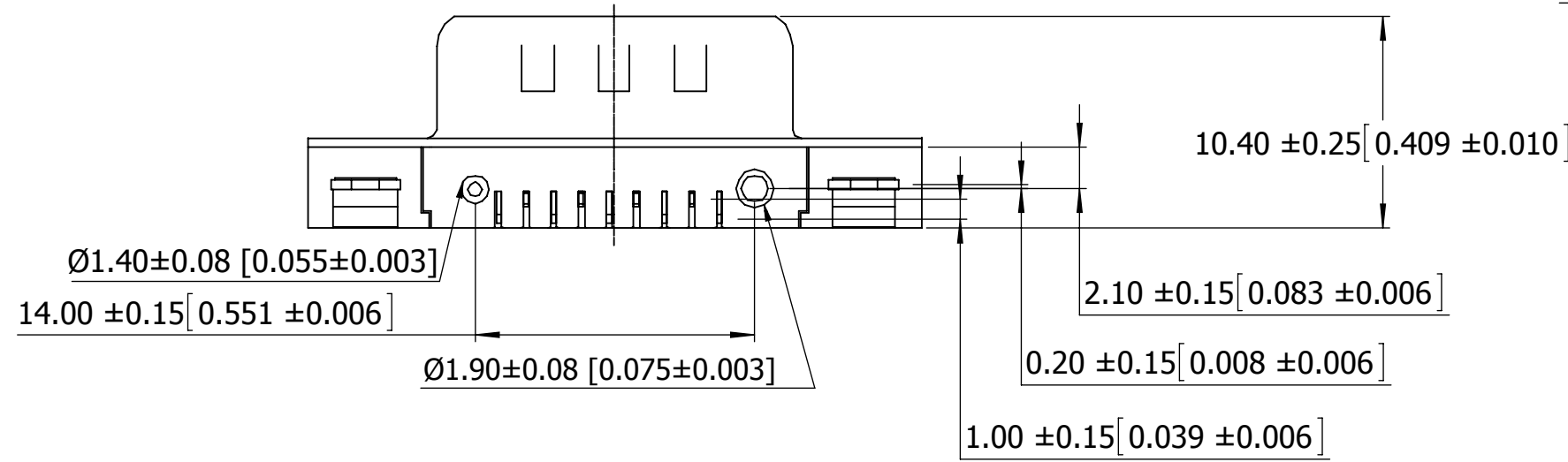


RoHS COMPLIANT

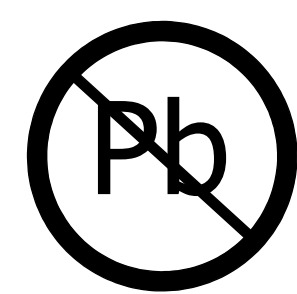
UNLESS OTHERWISE SPECIFIED: DIMENSIONS ARE IN MM [INCHES]		DRAWN	DATE	NAME	
			07/01/2011	LH	
TOLERANCES:					THE INFORMATION HEREIN CONTAINS PROPRIETARY INFORMATION OF SULLINS ELECTRONICS AND IS NOT TO BE REPRODUCED, USED OR DISCLOSED TO OTHERS FOR ANY PURPOSE EXCEPT AS SPECIFICALLY AUTHORIZED IN WRITING BY AN OFFICER OF SULLINS ELECTRONICS.
ANGULAR: ± 3°					
DECIMALS					
X = ± 0.38 [0.015] X = ± 0.25 [0.010] .XX = ± 0.13 [0.005]					
TITLE					223 SERIES D-SUB RIGHT ANGLE SLIM TYPE
PART NUMBER					SDS223-PRW_ _ _ _ -SN_ _ _
SIZE	CAGE CODE	DWG. NO.	REV		
C	54453	11803	D		
SCALE: 1:8			SHEET 2 OF 4		



(PN EXAMPLE: SDS223-PRW2-M09-SN13-2)



RECOMMENDED PCB LAYOUT



RoHS COMPLIANT

UNLESS OTHERWISE SPECIFIED:
DIMENSIONS ARE IN MM [INCHES]

TOLERANCES:
ANGULAR: ± 3°

DECIMALS
X.= ± 0.38 [.015]
X.= ± 0.25 [.010]
.XX= ± 0.13 [.005]

DRAWN	DATE	NAME		
	07/01/2011	LH		
<small>THE INFORMATION HEREIN CONTAINS PROPRIETARY INFORMATION OF SULLINS ELECTRONICS AND IS NOT TO BE REPRODUCED, USED OR DISCLOSED TO OTHERS FOR ANY PURPOSE EXCEPT AS SPECIFICALLY AUTHORIZED IN WRITING BY AN OFFICER OF SULLINS ELECTRONICS.</small>			TITLE 223 SERIES D-SUB RIGHT ANGLE SLIM TYPE	
			PART NUMBER SDS223-PRW _ _ _ -SN _ _ _	
SIZE	CAGE CODE	DWG. NO.	REV	
C	54453	11803	D	
SCALE: 1:8			SHEET 3 OF 4	

SDS223-PRW - - - -SN - - - -

a b c d e f g h i

a. CONTACT PLATING

(ALL PLATINGS HAVE .000050" NICKEL UNDERPLATE)
 W = GOLD FLASH ON CONTACT SURFACE,
 .000100" PURE TIN ON TERMINATION.

b. SHELL PLATING

1 = NICKEL
 2 = TIN (STANDARD)

c. CONTACT TYPE

M = MALE
 F = FEMALE

d. NO. OF CONTACTS

09 = 09 POSITIONS
 25 = 25 POSITIONS (FEMALE ONLY)

e. PIN TYPE

S = STAMPED PIN

f. FERRITE

N = WITHOUT FERRITE

g. FLANGE MOUNTING OPTION

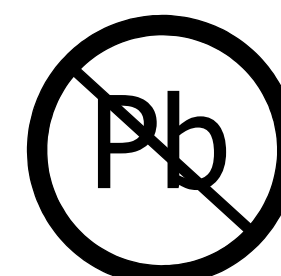
0 = Ø3.05mm [Ø0.120] CLEARANCE HOLE
 1 = #4-40 FEMALE THREAD
 2 = #4-40 UNC (4.8 X 11.8 mm [0.19 X 0.46]) FEMALE SCREWLOCK INSTALLED
 3 = #4-40 UNC (4.8 X 11.8 mm [0.19 X 0.46]) FEMALE SCREWLOCK BULK-PACKED

h. RIVET OPTIONS

0 = NONE
 3 = GROUNDING HOOK BOARDLOCK+2 PRONG

i. INSULATOR COLOR

1 = BLACK
 2 = BLUE (STANDARD)



RoHS COMPLIANT

UNLESS OTHERWISE SPECIFIED: DIMENSIONS ARE IN MM [INCHES]		DRAWN	DATE	NAME		
			07/01/2011	LH		
TOLERANCES: ANGULAR: ± 3° DECIMALS X.= ± 0.38 [.015] X.= ± 0.25 [.010] .XX= ± 0.13 [.005]		THE INFORMATION HEREIN CONTAINS PROPRIETARY INFORMATION OF SULLINS ELECTRONICS AND IS NOT TO BE REPRODUCED, USED OR DISCLOSED TO OTHERS FOR ANY PURPOSE EXCEPT AS SPECIFICALLY AUTHORIZED IN WRITING BY AN OFFICER OF SULLINS ELECTRONICS.			TITLE 223 SERIES D-SUB RIGHT ANGLE SLIM TYPE	
		SCALE: 1:8			PART NUMBER SDS223-PRW - - - -SN - - - -	
SIZE	CAGE CODE	DWG. NO.	REV		SHEET 4 OF 4	
C	54453	11803	D			