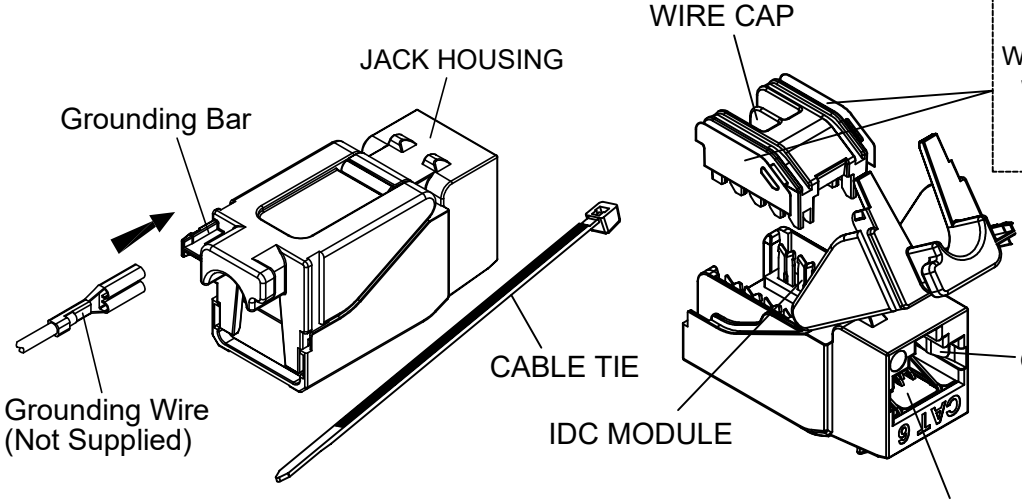
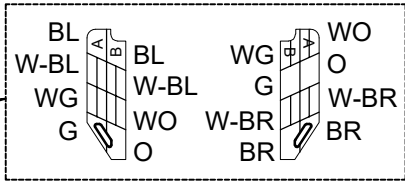


DATE	REV	ECN	APP'D. BY
03/08/18	A0	Released	TM

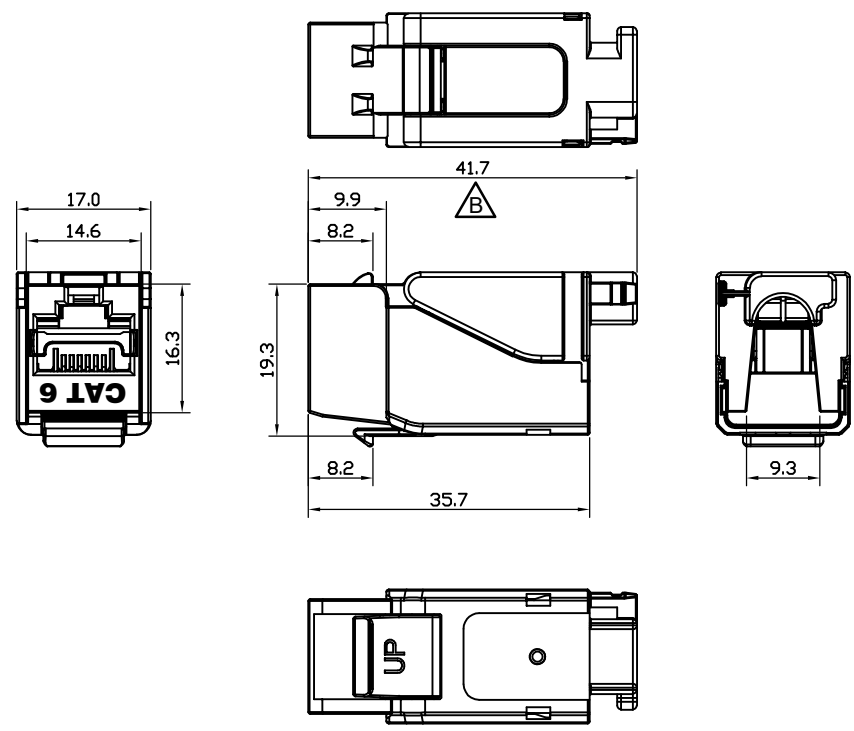
ISOMETRIC VIEW



WIRING LABEL



ASSEMBLY DIMENSION



COMPONENTS		
7	CABLE TIE	1
6	WIRING LABEL	2
5	GROUNDING SPRINGS	1
4	IDC MODULE	1
3	WIRE CAP	1
2	INSERT MODULE	1
1	JACK HOUSING	1
ITEM	DISCRIPTION	Q'TY

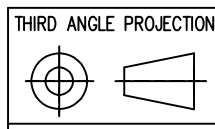
TRANSMISSION PERFORMANCE  
Meet all requirements specified in connecting hardware requirement of ANSI/TIA-568-C.2 Cat.6

ELECTRICAL  
Electrical Insulation Resistance : 500 MΩ min. @ 100V d.c  
Dielectric Withstanding Voltage : 1000V d.c. or a.c. Peak Contact to Contact @ 60Hz for 1 minute, 1500V d.c. or a.c. Peak Contact to Panel @ 60Hz for 1 minute

MECHANICAL  
Insertion / Extraction Life : 750 Cycles Minimum  
IDC Wire Gauge : 22 ~ 24 AWG

PHYSICAL  
Housing : Zinc-alloy fully shielded  
Spring Wire : Phosphor Bronze Alloy Plated With 50 micro-inch of Gold  
IDC : Phosphor Bronze Alloy With 100 micro-inch 100% Sn Alloy

SS-82110-002  
PART NUMBER



206 Van Vorst Street  
Jersey City, NJ 07302  
+1 201 432 0463  
<http://www.belfuse.com>

THIRD ANGLE PROJECTION  
DO NOT SCALE DRAWING  
DRAWING IS SUBJECT TO CHANGE WITHOUT NOTICE  
DIMENSIONS: METRIC  
UNLESS OTHERWISE SPECIFIED TOLERANCES ARE ±0.2 ANGLES ARE ± 1°  
SHEET NO. 1 OF 1

TITLE: CAT 6 SHIELDED TOOL-LESS KEYSTONE JACK  
DRN BY: DG DATE: 03/06/18  
APPD BY: TM DATE: 03/08/18  
DWG NO. CT820024 REV. A0  
THIS DRAWING AND THE SUBJECT MATTER SHOWN THEREON ARE CONFIDENTIAL AND THE PROPRIETARY PROPERTY OF BEL FUSE, INC. AND SHALL NOT BE REPRODUCED, COPIED, OR USED IN ANY MANNER WITHOUT PRIOR WRITTEN CONSENT OF BEL FUSE, INC.

