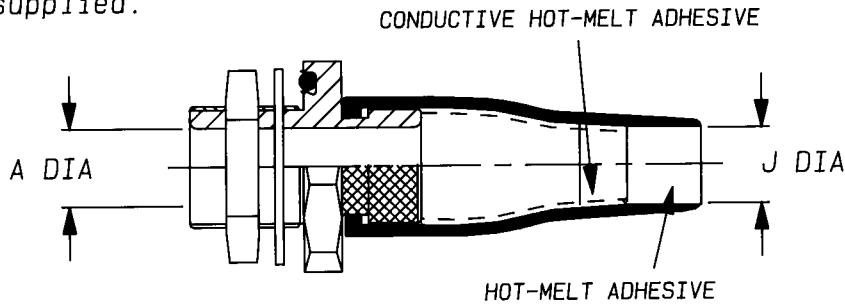


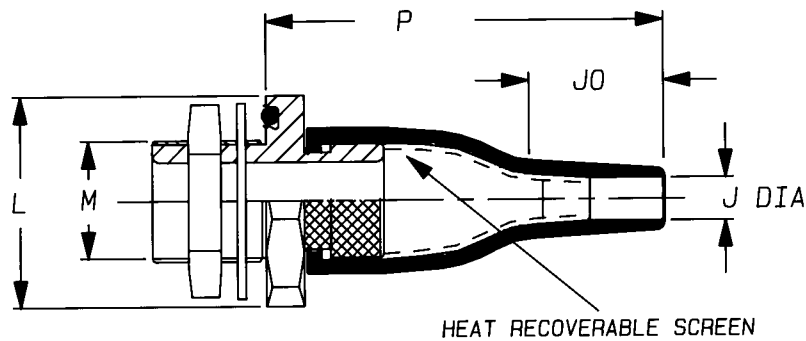
TCFR-**-***-0**-100CH

See over for Part Numbering System

a) Part as supplied.



b) Part after unrestricted recovery.



KITS TO INCLUDE CLEANING TISSUE, 1 PIECE 100 GRIT EMERY CLOTH & PACKING PIECE.
KIT TO BE USED IN CONJUNCTION WITH TCFS INSTALLATION PROCEDURE.

Dimensions (in millimetres)

PART No.	A	J	M	A/F	L	P	JO	
	min	min a	max b	THREAD	Nut	NOM	±10% b	Ref b
TCFR-12	7.4	7.0	5.0	M12 x 1.5	17	24	50	15
TCFR-16	10.1	9.0	6.0	M16 x 1.5	22	29	52	17
TCFR-20	14.1	11.0	7.2	M20 x 1.5	27	34	60	20
TCFR-24	19.1	17.0	8.5	M24 x 1.5	30	38	74	25
TCFR-30	24.1	21.0	10.0	M30 x 1.5	36	47	85	30
TCFR-36	30.1	29.0	15.8	M36 x 1.5	41	52	95	30
TCFR-48	40.1	36.0	16.8	M48 x 1.5	55	67	112	38

Copyright (!)

Urheberrechte

The copyright in this drawing is the property of Raychem Ltd. The drawing is issued on condition that it is not copied, reproduced or disclosed to a third party, either in whole or in part without the prior written consent of Raychem Ltd.

Drawn A.LILLEY. Checked *AL* Issue **3** Date November 1992 Conforms to ISO Recommendations

Approval
Design

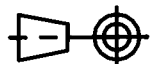
AAJ Sutter

MKTG.

G.C.

M

3rd Angle Projection
Not to Scale



Iss.	Date	E.C.R. No.	Details of Change
2	August 1991	H0044	L was %
3	November 1992	H0125	S/S 30 L WAS 48

Material

(-100) ZERO HALOGEN

Part Numbering System.

TCFR-**-***-0**-100CH

