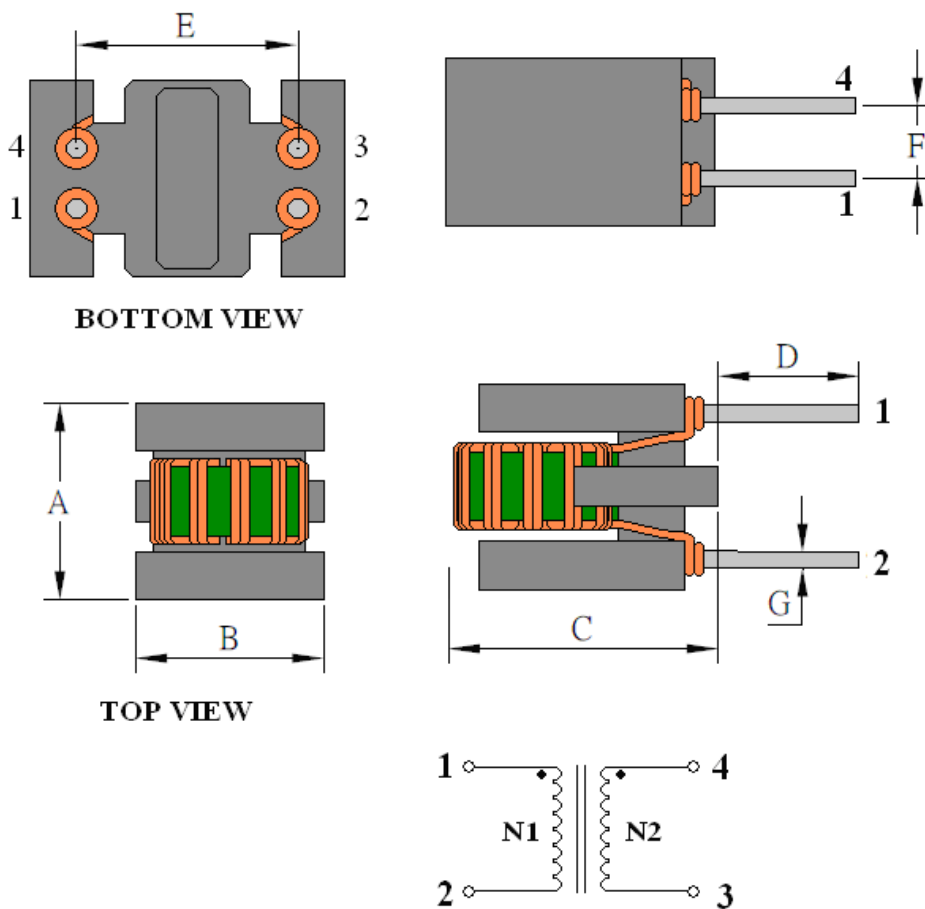


Common mode choke

Order code	TCK-118
Inductance	175 μ H \pm 25% (10 kHz / 50 mV)
Rated current	1.76 A max.
DCR	34 m Ω
Rated Voltage	500 VDC
Operating temperature	-40 to +105°C
Recommended through hole	\varnothing 0.8 mm



Dimensions [mm]

A	7.5 max
B	8.5 max
C	10.5 max.
D	3.5 \pm 1.0
E	5.08 \pm 0.5
F	2.54 \pm 0.3
G	0.6 \pm 0.1