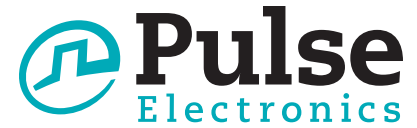


# High Speed Serial Transceiver Line Interface Module

in Small package with up to 1.250 GBs Data Rate



- High Performance, low cost alternative to fiber system.
- Transmitter includes transformer coupled output for 15 meter 100/150Ω Quad cable.
- Receiver includes transformers coupled input, adaptive cable equalizer and amplifier with CML data outputs.
- Low transmit/receive jitter
- Low Power dissipation; 363 mW maximum (245 mW typical)
- Operating Temperature -55°C to +125°C, Storage Temperature -55°C to +150°C
- Absolute maximum supply voltage Vcc .....+6.0VDC
- Absolute maximum current output of Pin 1 (Do), Pin 2 (Do/)...25 mA
- Θjc: 66°C/Watt
- Supply Current 95mA maximum ( 75 mA typical)
- ESD will withstand a transient pulse of +/- 500V, per Mil-Std- 883 Method 3015.7
- Leadframe material Alloy 42, Final Finish Hot Solder Dipped in Sn63/Pb37
- MSL-3
- IC grade transfer-molded package with-stands a Max 225 degree C peak temperature profile.

## TM1250HSB5 Characteristics

### Transmitter

Vcc = 3.15V to 3.45V

Parameter	SYM	MIN	Typical	MAX	UNIT
Input Data Voltage (Single Ended)	V <sub>IN</sub>	Vcc-0.6		Vcc+0.2	V
Input Voltage - Differential	V <sub>in</sub> p-p	400	800	1100	mV
Input Impedance (Single Ended)	Z <sub>in</sub>	45	55	65	Ω
Input Common Mode Voltage	V <sub>inCMR</sub>	2.70	3.10	3.30	V
Differential signal level (p-p)	V <sub>OUT</sub>	400	800	1000	mV
Data Rate (NRZ)	D <sub>R</sub>	800	1250	1485	Mb/s
Total P-P transmit jitter (Dj=Rj)	T <sub>PK-PK</sub>	-	125	224	ps
Output rise-fall time (20%-80%)	-	-	200	300	ps
Return loss	S <sub>11</sub>	-12	-	-	dB

### Receiver

Vcc = 3.15V to 3.45V

Parameter	SYM	CONDITION	MIN	TYP	MAX	UNIT
Output Voltage (differential)	V <sub>DO</sub>	50Ω to Vcc	500		1000	mVp-p
Output commonmode voltage				Vcc-0.20		
Input Sensitivity	V <sub>in</sub> p-p		50		700	mVp-p
Rise Time		-	-	-	100	pSec.
Data Rate	D <sub>R</sub>		800	1250	1485	Mb/s
Total Peak-Peak Jitter	T <sub>p-p</sub>	1250 MBs **		200	300	pSec.
Input Impedance (Differential)	Z <sub>o</sub>		100	110	150	Ω

\*\* T<sub>p-p</sub> for 30 meter of 110 Ω Quad differential cable.

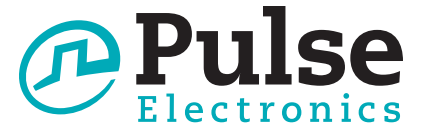
**Note:** Not available in RoHS version

Add suffix "T" to indicate Tape and Reel Packaging

Test specifications met over -55°C to +125°C

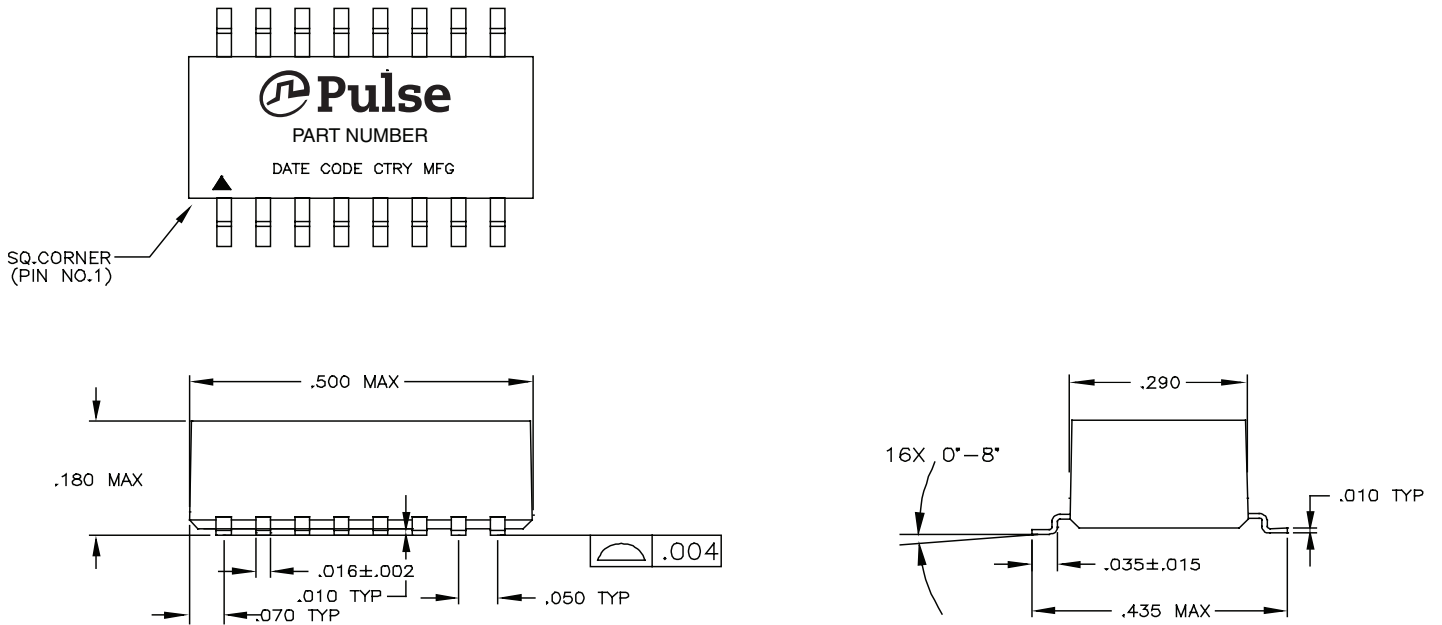
# High Speed Serial Transceiver Line Interface Module

in Small package with up to 1.250 GBs Data Rate



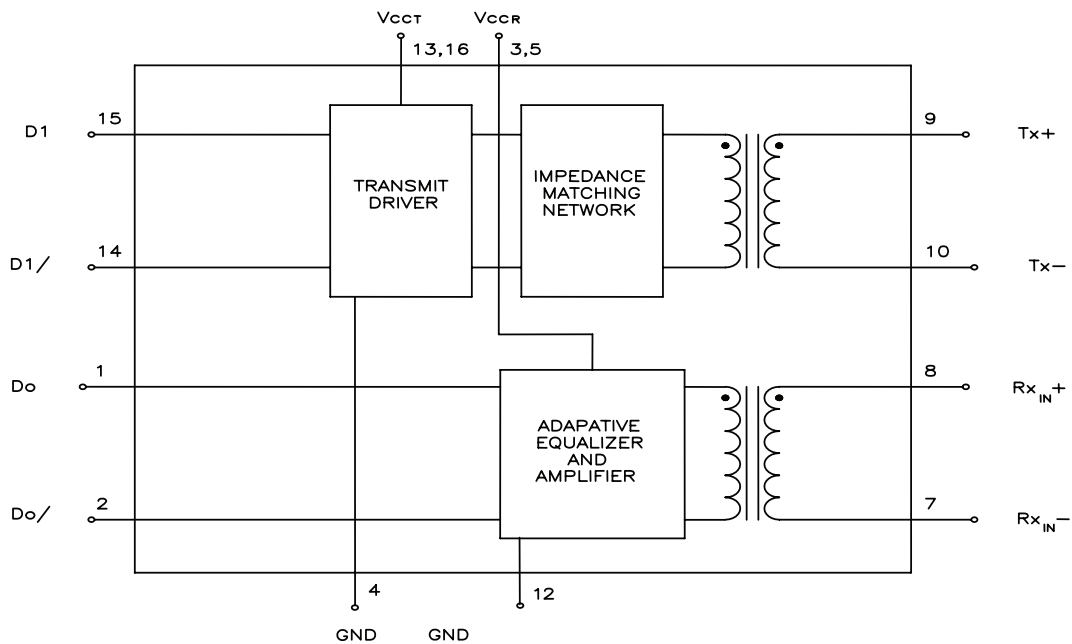
## Mechanical

TM1250HSB5



## Schematic

TM1250HSB5



## Application Note:

TM1250HSB5

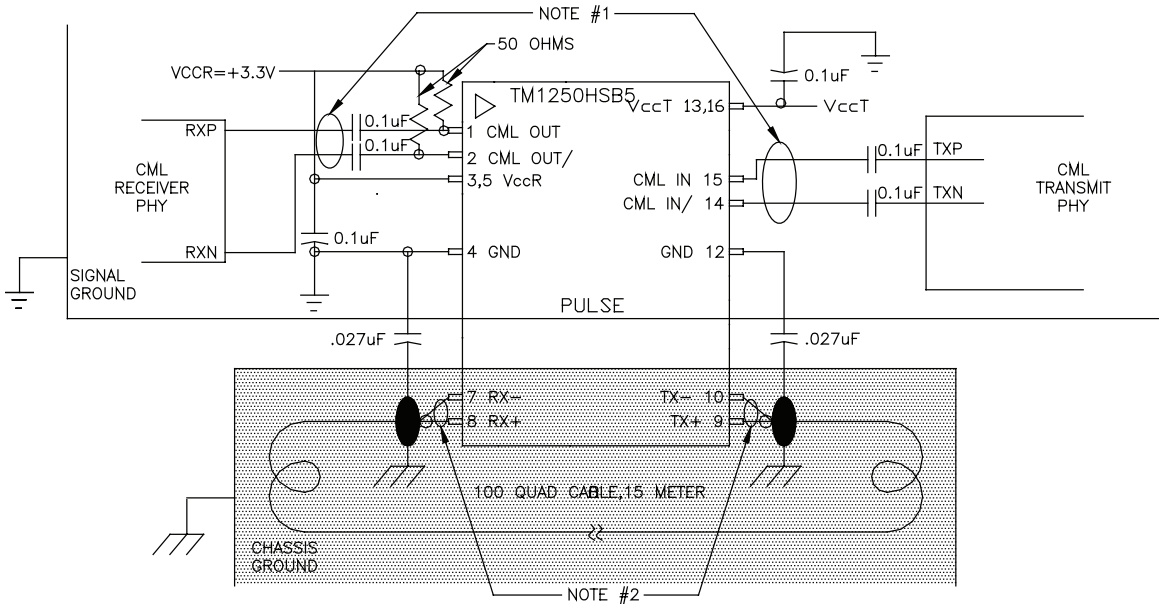
### 150 Ω Differential Cable

#### TM1250HSB5—APPLICATION NOTE FOR CML PHY

NOTE 1: 100 OHMS CONTROLLED IMPEDANCE DIFFERENTIAL TRACES

NOTE 2: 150 OHMS CONTROLLED IMPEDANCE DIFFERENTIAL TRACES

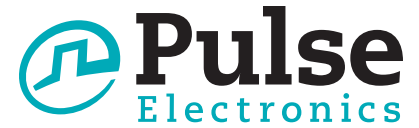
NOTE 3: ALL CHIP CAPACITOR HI-FREQUENCY, 0.027 μF CHIP CAPACITOR HI-VOLTAGE FOR SYSTEM ISOLATION FROM CHASSIS TO SIGNAL GROUND.



Pin number(s)	Description
3, 5	Vcc RX: + 3.30 Vdc supply for the receive side of line interface module.
1, 2	Do, Do/ : CML compatible Differential outputs to PHY receiver section input.
4, 12	Gnd (V EE ): The negative side of + 3.30 VDC supply for the line interface module. Connect to Signal Gnd.
7, 8	Rx in -, Rx in + : Transformer coupled differential inputs to receiver section from fare end of cable.
9, 10	T X + , T X - : Transformer coupled differential outputs to cable input.
13, 16	Vcc TX: + 3.30 Vdc supply for the transmitter side of line interface module.
14, 15	D I/, D I : CML compatible Differential data inputs to the transmit side of the module from PHY transmitter.
6, 11	These pins are "no connect;" do not apply Gnd, VCC, or signal lines to these pins.

# High Speed Serial Transceiver Line Interface Module

in Small package with up to 1.250 GBs Data Rate



## Application Note: (con't)

### TM1250HSB5

PART IS QUALIFIED BY SIMILARITY TO PULSE PART NUMBER TM1062TXHUA ( QUALIFICATION TESTING AS DEFINED TP-XXXX REQUIREMENTS )

MTBF = 574636 HOURS, PER MIL-HDBK-217F ENVIRONMENT=AIF, TEMPERATURE FACTOR = 125°C

PARTS PACKAGED IN EXTRUDED ANTISTATIC TUBES, PARTS BAKED AND DRY PACKED IAW IPC/JEDEC-J-STD-033B

MOISTURE SENSITIVITY LEVEL =3  
( CLASSIFICATION TESTING IAW IPC/JEDEC-J-STD-020 )

PARTS CAN BE ORDERED PACKAGED ON TAPE AND REEL CARRIER TAPE IAW EIA STD 481, REQUEST AT TIME PART IS ORDERED. ADD "T" TO INDICATE TAPE AND REEL

SPECIAL SCREENING TESTS, AND QUALIFICATION TESTING CAN BE PERFORMED. SUBMIT REQUEST FOR QUOTATION TO SALES

## For More Information

### Pulse North America Headquarters

Two Pearl Buck Court  
Bristol, PA 19007  
U.S.A.

Tel: 215 781 6400  
Fax: 215 781 6403

### Pulse Europe

Zeppelinstrasse 15  
71083 Herrenberg  
Germany

Tel: 49 7032 7806 0  
Fax: 49 7032 7806 12

### Pulse China Headquarters

B402, Shenzhen Academy of  
Aerospace Technology Bldg.  
10th Kejinan Road  
High-Tech Zone  
Nanshan District  
Shenzhen, PR China 518057

Tel: 86 755 33966678  
Fax: 86 755 33966700

### Pulse North China

Room 2704/2705  
Super Ocean Finance Ctr.  
2067 Yan An Road West  
Shanghai 200336  
China

Tel: 86 21 62787060  
Fax: 86 2162786973

### Pulse South Asia

135 Joo Seng Road  
#03-02  
PM Industrial Bldg.  
Singapore 368363

Tel: 65 6287 8998  
Fax: 65 6287 8998

### Pulse North Asia

3F No. 198, Zhongyuan Road  
Zhongli City  
Taoyuan County (32068)  
Taiwan

Tel: 886 3 4356768  
Fax: 886 3 4356823

Performance warranty of products offered on this data sheet is limited to the parameters specified. Data is subject to change without notice. Other brand and product names mentioned herein may be trademarks or registered trademarks of their respective owners. © Copyright, 2013. Pulse Electronics, Inc. All rights reserved.